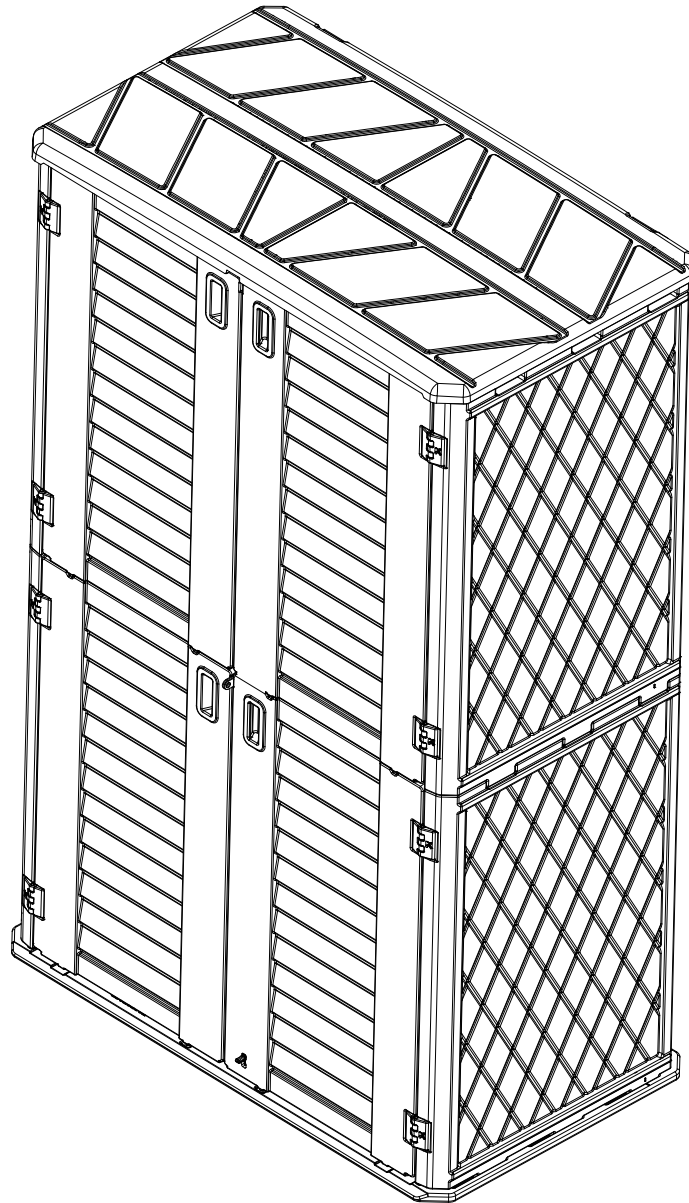




Horti Cubic

# Vertical Storage Box Installation



#263-21300 GORDON WAY, RICHMOND, BC. CANADA V6W1J8

---

## ABOUT PRODUCT ASSEMBLY

Do not assemble the storage shed on severe cold or strong windy days.

We would advise 2 person to assist in the assembly of the storage shed to secure parts in place.

Please check your package according to the PARTS LIST in the instructions to ensure that there are no missing or damaged before you starting assembly, kindly contact us if you find any wrong.

Please read instructions thoroughly prior to assembly, assemble all the parts according to the directions in this instructions, do not skip and steps

Our company provides extra hardware for use as spare parts for customer convenience. **Please save the spare parts.**

We would kindly advise you to follow the instructions in the manual to install, wrong assembly methods can result in damage to the inside of the hole to create links between the panels loose or unable to assembled properly.

# Parts List

NO.	Parts NO.	Parts Name	Material	Quantity	Specification
1	GS0201001	Floor	HDPE	1	50.24x29.06x1.38inches
2	GS0201002	Left Back Panel	HDPE	2	40.16x23.78x0.98inche
3	GS0201003	Right Back Panel	HDPE	2	40.16x21.81x0.98inches
4	GS0201004	Left Side Panel	HDPE	2	40.16x27.32x4.72inches
5	GS0201005	Right Side Panel	HDPE	2	40.16x27.32x4.72inches
6	GS0201006	Left Door	HDPE	2	38.97x23.43x1.5inches
7	GS0201007	Right Door	HDPE	2	38.97x22.56x1.5inches
8	GS0201008	Roof	HDPE	1	49.61x28.74x1.73inches

NO.	Parts NO.	Parts Name	Material	Quantity	Specification
9	GS0201022	Plastic Bolts	Plastic	16	M9.5x25.5 mm
10	GS0201023	Plastic Bolts	Plastic	8	M9.5x18.5 mm
11	GS0201014	Hinge	Plastic	10	70x38x25 mm
12	GS0201018	Latch -1	Plastic	1	61x40x15 mm
13	GS0201019	Latch -2	Plastic	1	88x43x13 mm

14	GS0201028	Strength the Block	Metal	20	58x18x1.2 mm
15	GS0201025	Fixing Piece for Roof	Metal	2	30x30x16 mm
16	GS0201016	L-1	Metal	1	37x20x16 mm
17	GS0201017	L-2	Metal	1	39x20x20 mm
18	GS0201024	Strength the Connecting Rod	Metal	12	500x30x8 mm
19	Y202338	M5.5x19	Metal	88	M5.5x19 mm
20	Y202333	M4x10	Metal	12	M4x10 mm
		Instructions	/	1	
		Spare Parts	/	1	

Please save the spare parts

---

## ABOUT PRODUCT MAINTENANCE

This storage shed should be far away from the open flame.

Do not use the storage shed in extreme weather conditions.

Do not stack more than 20 kg items on the storage shed roof all the time in case deformation of the roof.

At regular check the storage shed to ensure that it's stable and assembly integrity has been maintained.

Please keep doors closed and locked outdoor when the storage shed is not in use long time to prevent wind damaged or damaged by animals or bad people.

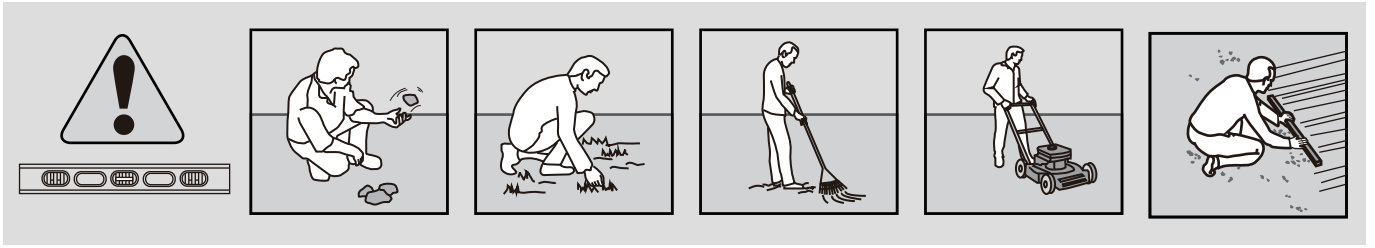
Do not store hot items(recently used grills, blowtorches etc. ),flammable or caustic chemicals in the storage shed.

Wash the storage shed with a mild soap and water if there is any stain on the storage shed. Do not use a stiff brush,bleach,ammonia or any other caustic cleaners, as these may damage the storage shed or could result in permanent staining of the plastic.This is not manufacturing defect and is not covered under warranty.

If the environment permits, install the storage shed in a cool place, as prolonged exposure to direct sunlight may deform the panel and accelerate aging.

---

## LEVEL THE GROUND SURFACE



Level the ground surface before unpacking parts and beginning assembly.

---

## REQUIRED TOOLS



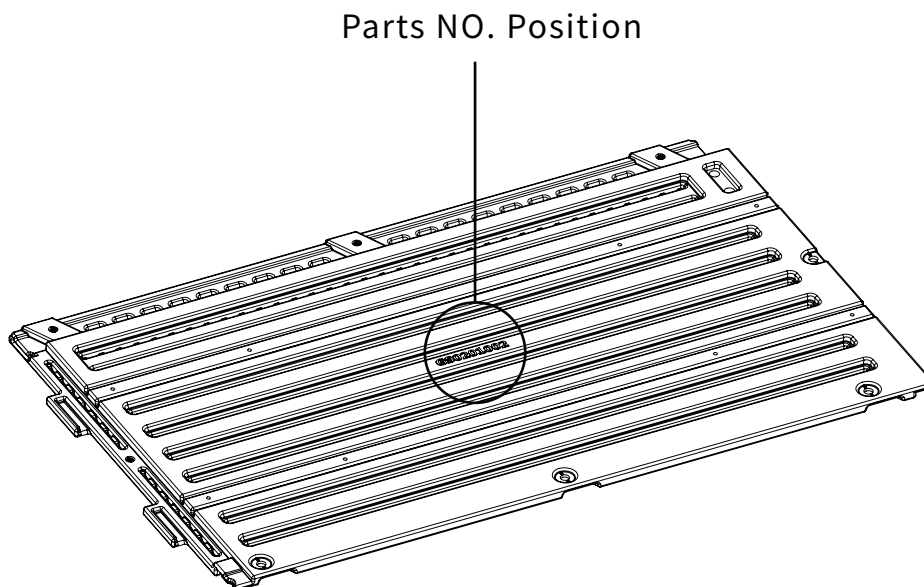
Allen Key



Screwdriver

---

## PARTS NO. POSITION

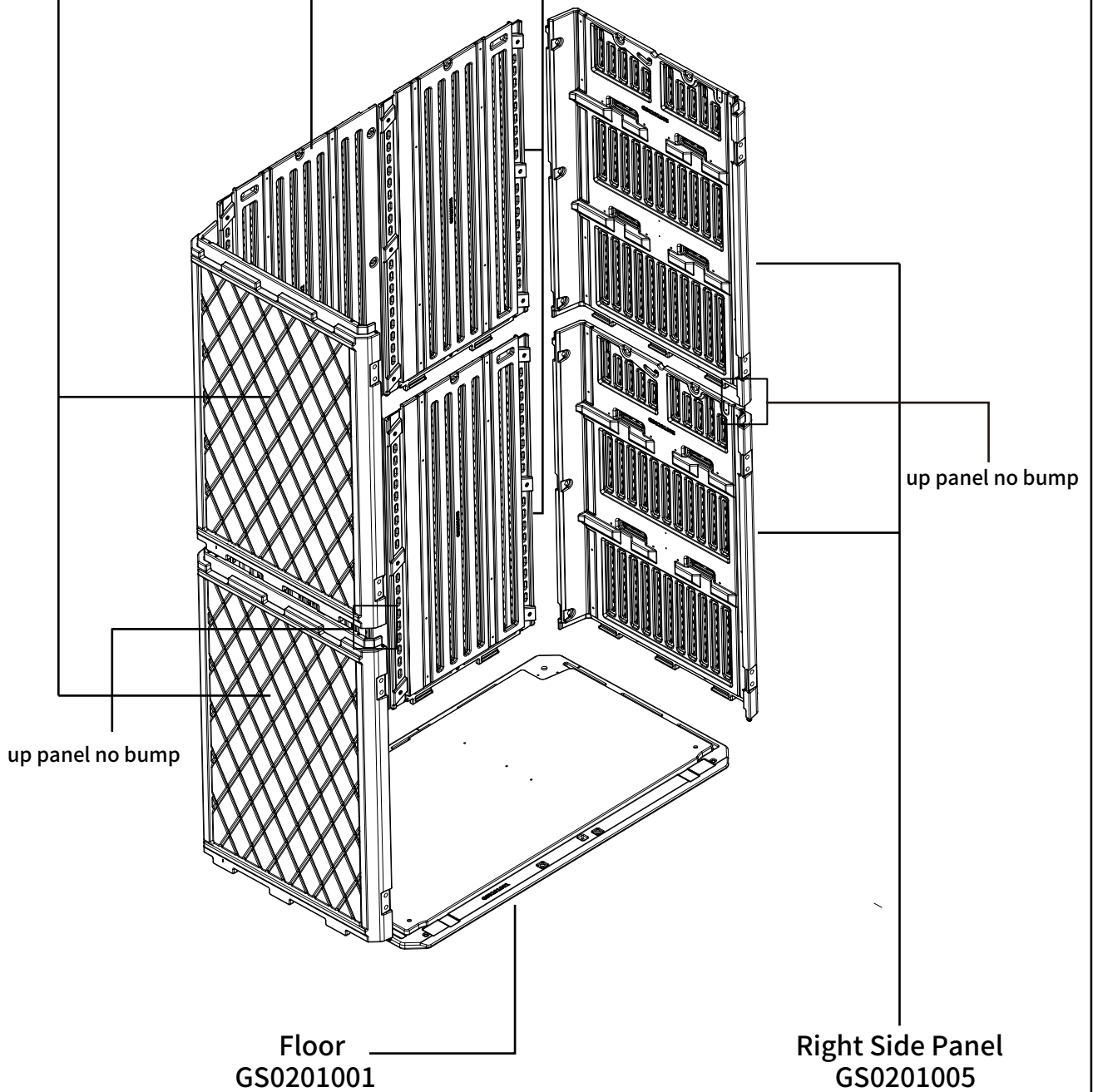
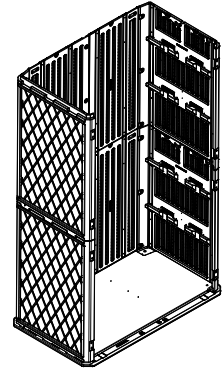


# Wall Panels and Floor

Left Side Panel  
GS0201004

Left Back Panel  
GS0201002

Right Back Panel  
GS0201003



up panel no bump

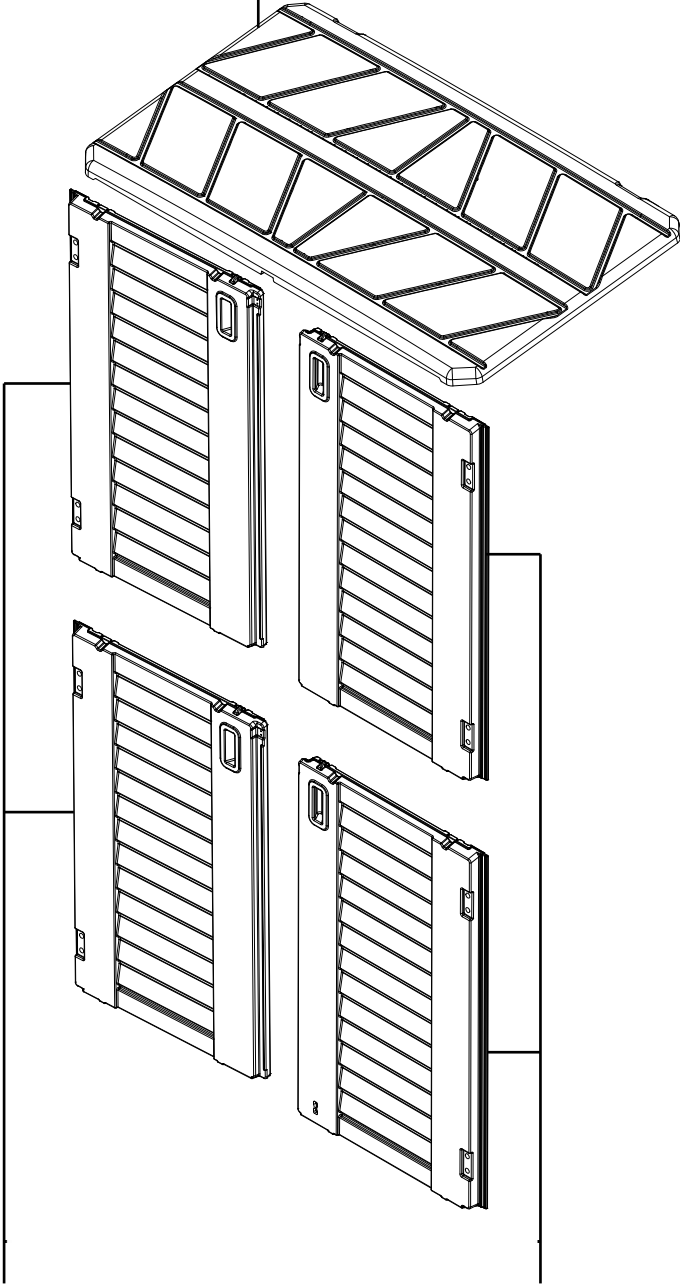
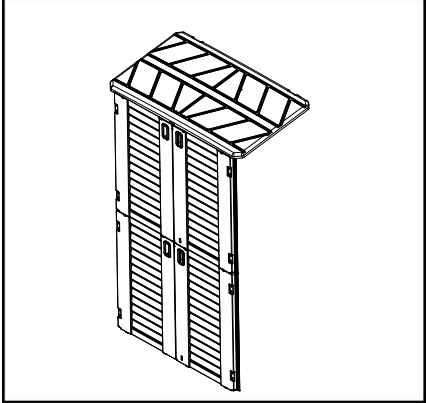
up panel no bump

Floor  
GS0201001

Right Side Panel  
GS0201005

# Doors and Roof

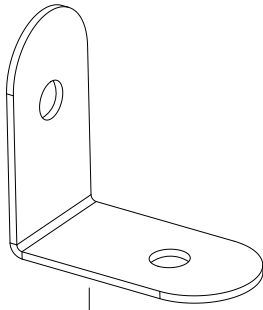
Roof  
(GS0201008)



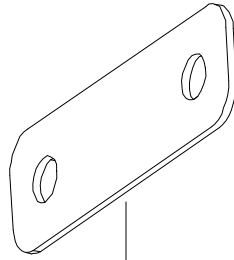
Left Door  
(GS0201006)

Right Door  
(GS0201007)

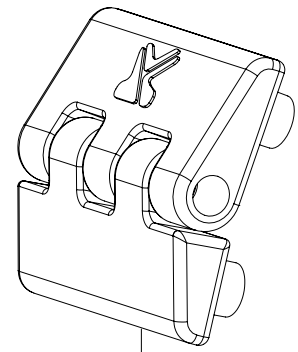
# Hardware



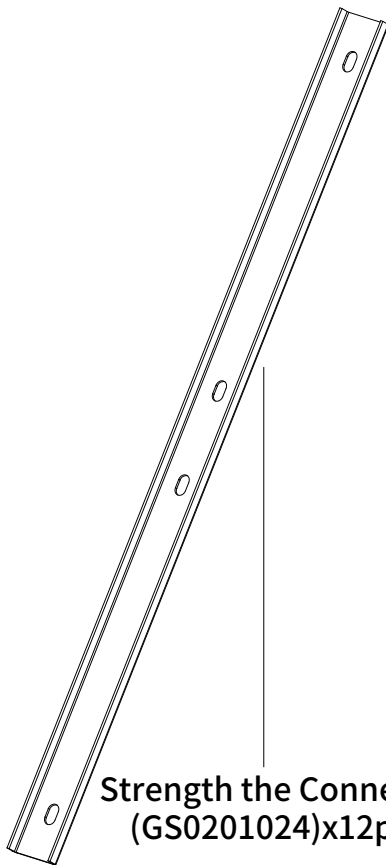
Fixing Piece for Roof  
(GS0201025)x2pcs



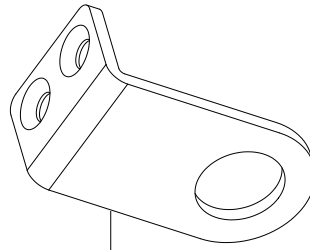
Strength the Block  
(GS0201028)x20pcs



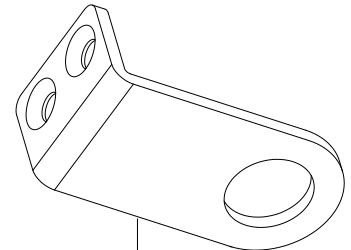
Hinge  
(GS0201014)x10pcs



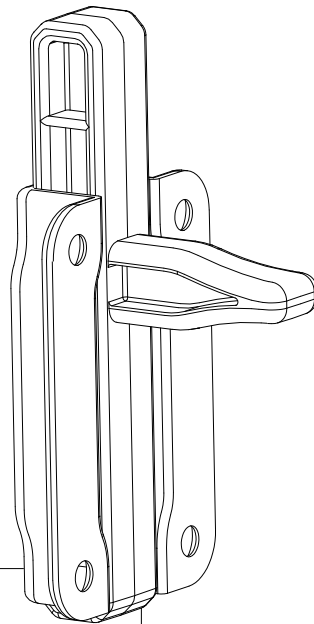
Strength the Connecting Rod  
(GS0201024)x12pcs



L-1  
(GS0201016)x1pcs

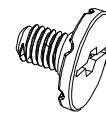


L-2  
(GS0201017)x1pcs

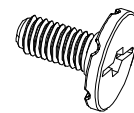


Latch -1  
GS0201018 x1pcs

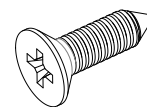
Latch -2  
GS0201019 x1pcs



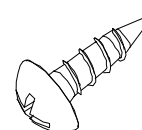
Plastic Bolts  
GS0201023  
M9.5\*18.5x8pcs



Plastic Bolts  
GS0201022  
M9.5\*25.5x16pcs



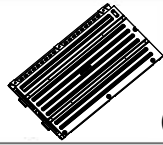
M4x10  
Y202333  
12pcs



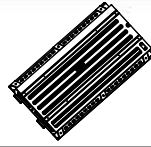
M5.5x19  
Y202338  
88pcs



# 1 Back panels to install



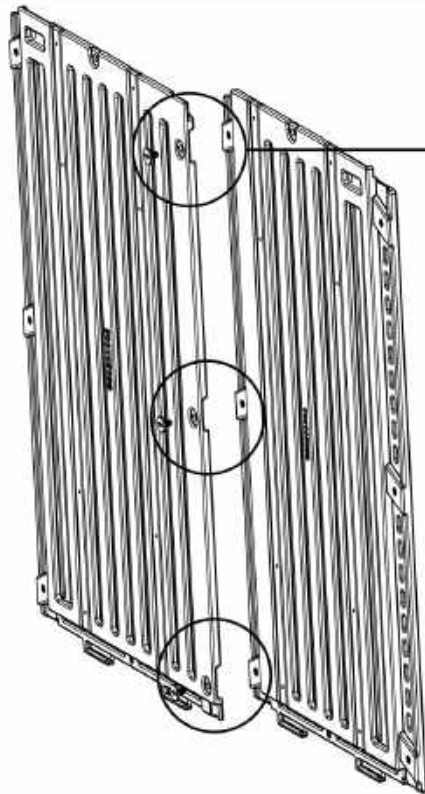
Left Back Panel  
(GS0201002)X1pcs



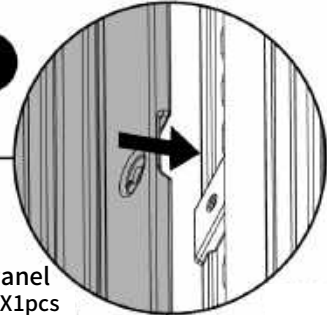
Right Back Panel  
(GS0201003)X1pcs



Right Back Panel  
(GS0201023)  
M9.5\*18.5 X3pcs

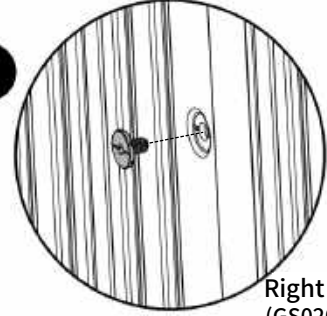


1



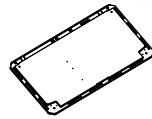
Left Back Panel  
(GS0201002)X1pcs  
Right Back Panel  
(GS0201003)X1pcs

2



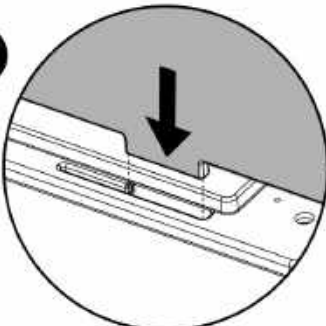
Right Back Panel  
(GS0201023)  
M9.5\*18.5 X3pcs

# 2 Floor panel to install

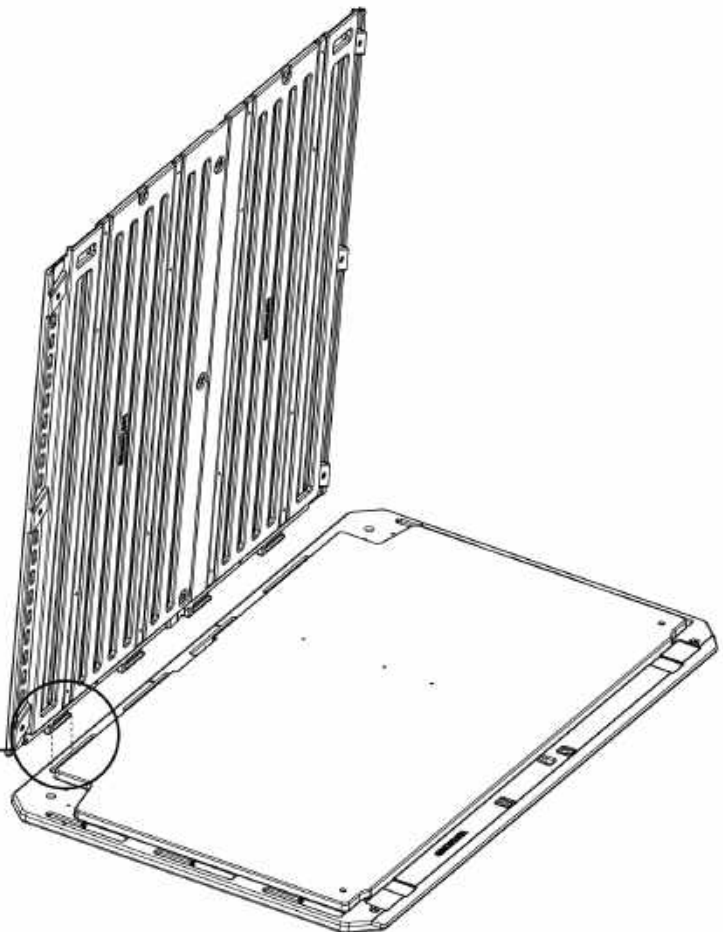
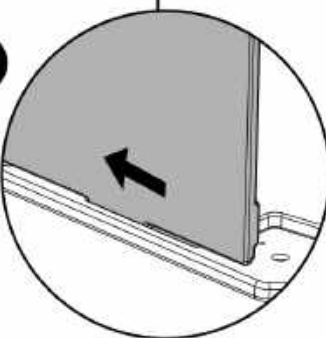


Floor  
(GS0201001)X1pcs

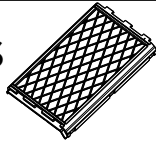
1



2



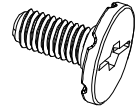
# 3 Side panels to install



Left Side Panel  
(GS0201004)

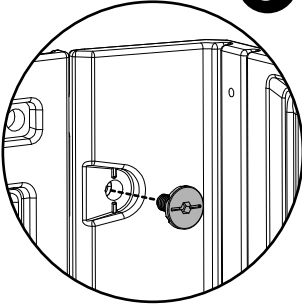


Right Side Panel  
(GS0201005)

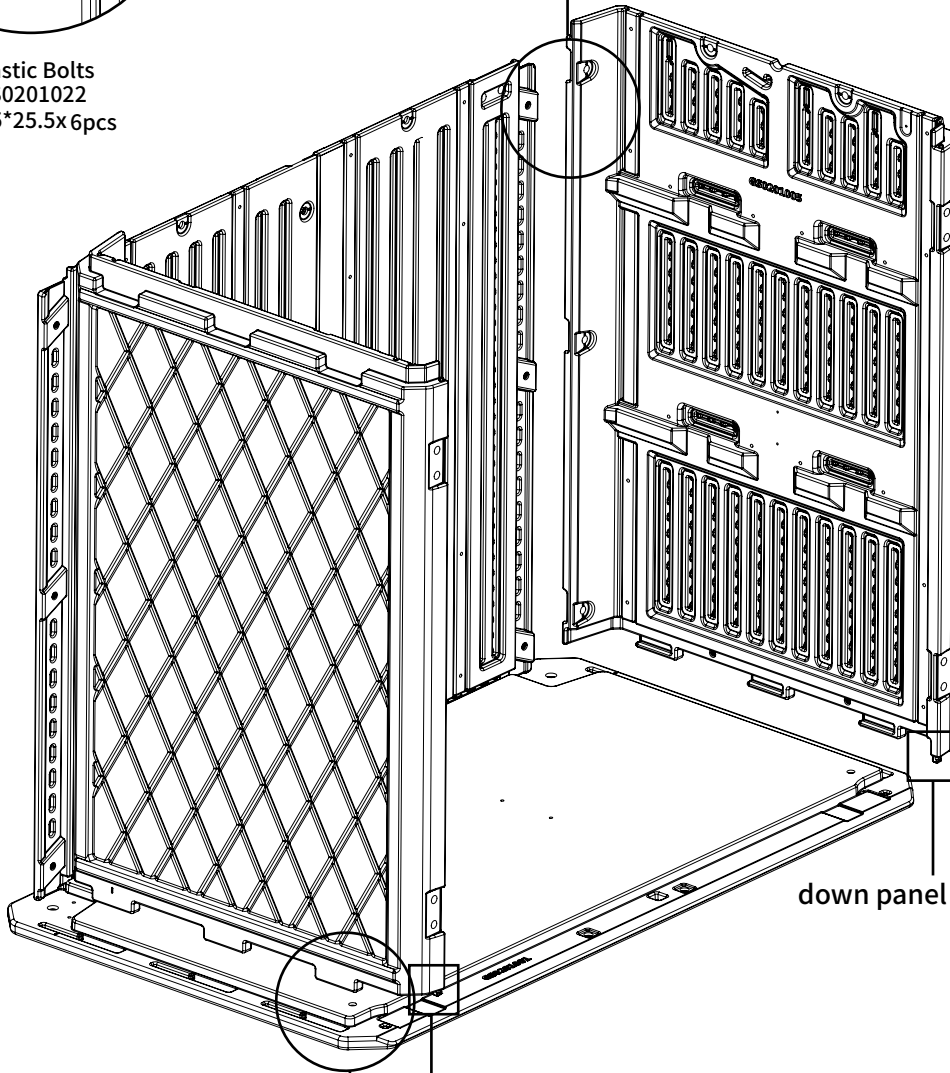


Plastic Bolts  
GS0201022  
M9.5\*25.5x6pcs

3



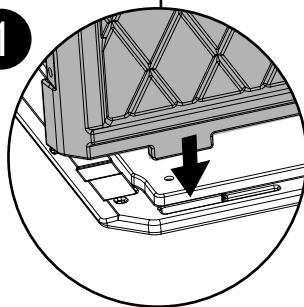
Plastic Bolts  
GS0201022  
M9.5\*25.5x6pcs



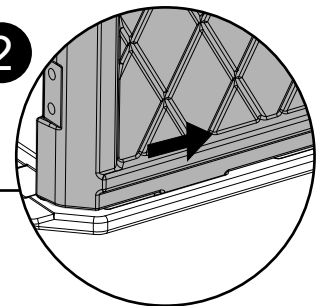
down panel with bump

down panel with bump

1



2



**4**

**Left back panel  
(top) to install**



Left Back Panel  
(GS0201002)x1pcs



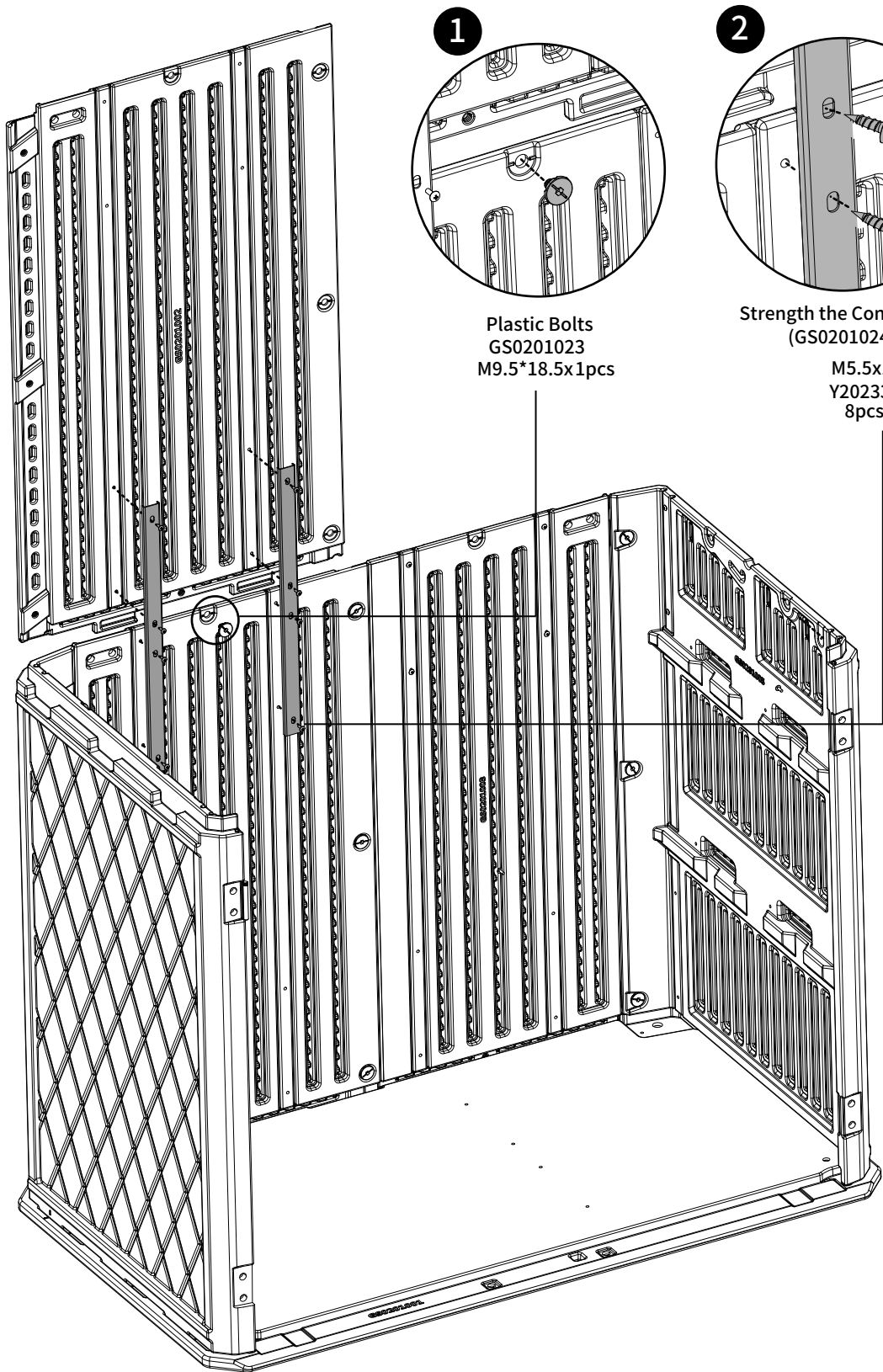
Strength the  
Connecting Rod  
(GS0201024)x2pcs



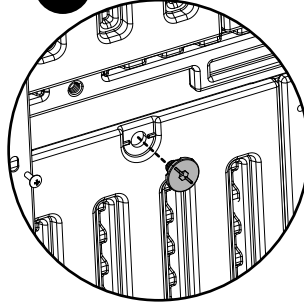
M5.5x19  
Y202338  
8pcs



Plastic Bolts  
GS0201023  
M9.5\*18.5x1pcs

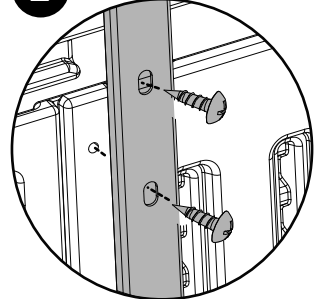


**1**



Plastic Bolts  
GS0201023  
M9.5\*18.5x1pcs

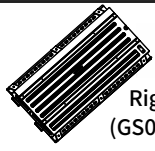
**2**



Strength the Connecting Rod  
(GS0201024)x2pcs

M5.5x19  
Y202338  
8pcs

# 5 Right back panel (top) to install



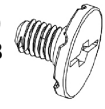
Right Back Panel (GS02011003)x1pcs



Strength the Connecting Rod (GS0201024)x2pcs

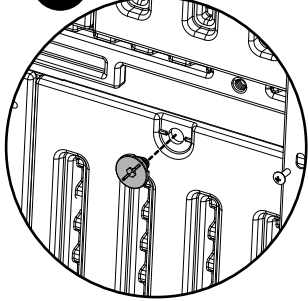


M5.5x19 Y202338 8pcs



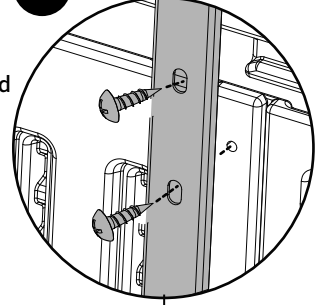
Plastic Bolts GS0201023 M9.5\*18.5X4pcs

1



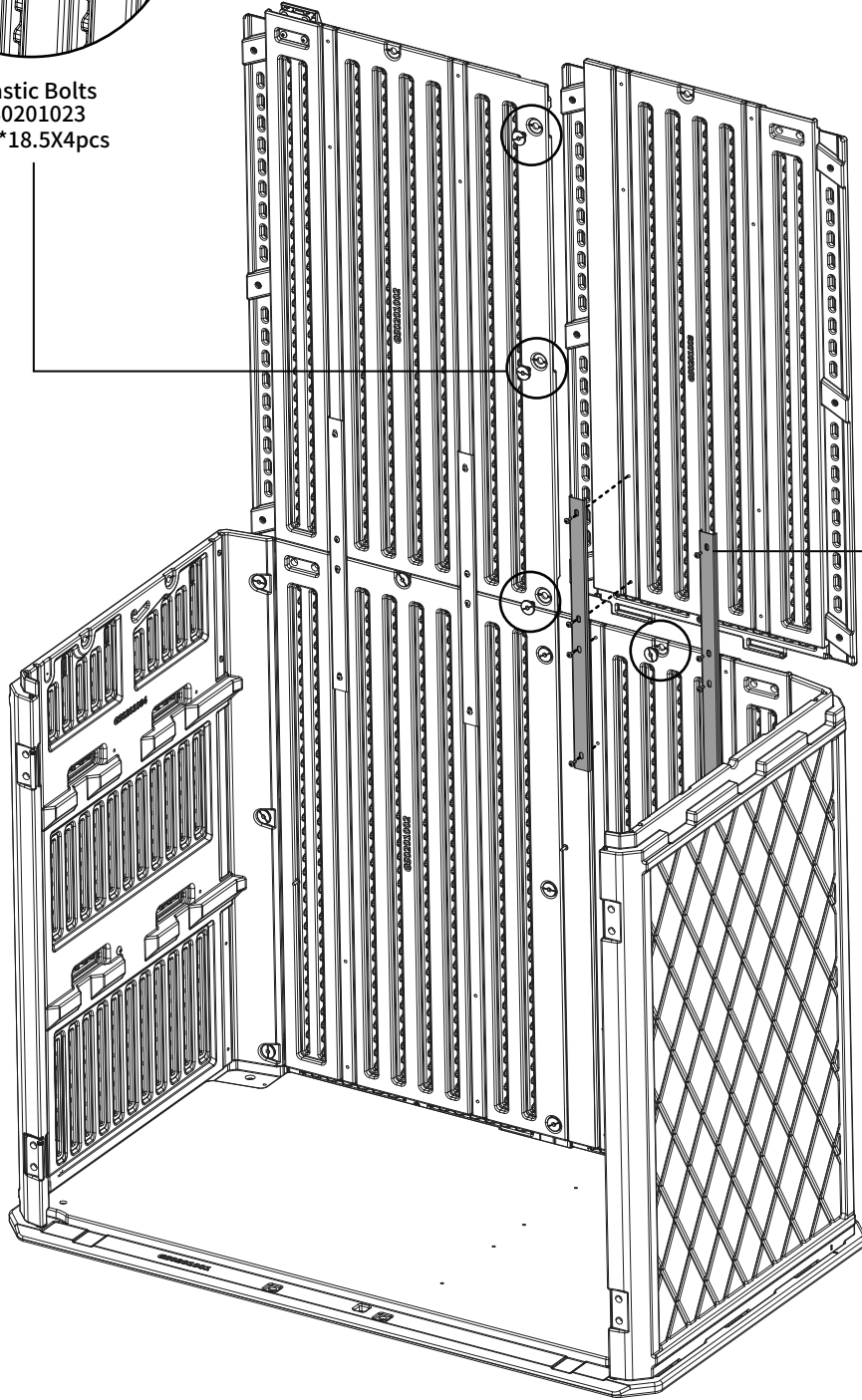
Plastic Bolts GS0201023 M9.5\*18.5X4pcs

2



Strength the Connecting Rod (GS0201024)x2pcs

M5.5x19 Y202338 8pcs



**6**

**Left side panel (top) to install**



Left side Panel  
GS0201004 x 1pcs



Strength the  
Connecting Rod  
(GS0201024) x 2pcs

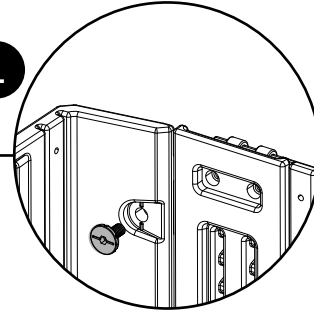


M5.5x19  
Y202338  
8pcs



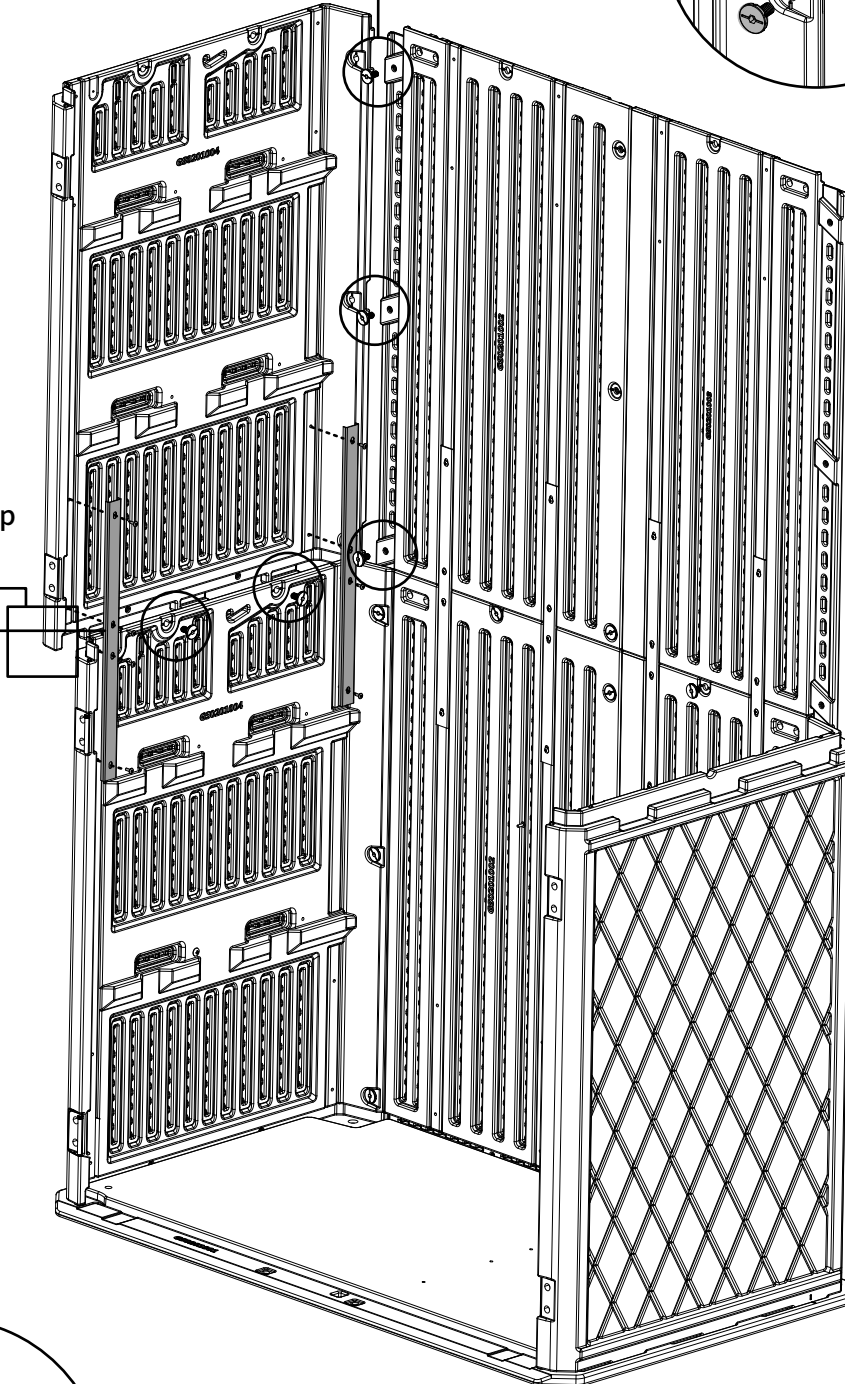
Plastic Bolts  
GS0201022  
M9.5\*25.5 x5pcs

**1**

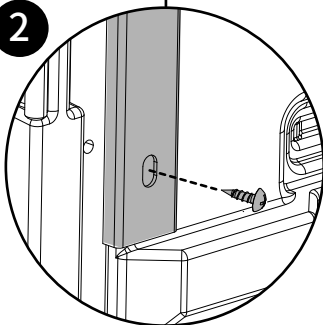


Plastic Bolts  
GS0201022  
M9.5\*25.5x5pcs

up panel no bump



**2**



M5.5x19  
Y202338  
8pcs

Strength the  
Connecting Rod  
(GS0201024)x 2pcs

**7**

**Right side panel  
(top) to install**



Right side Panel  
(GS0201005)x1pcs



Strength the  
Connecting Rod  
(GS0201024)x2pcs

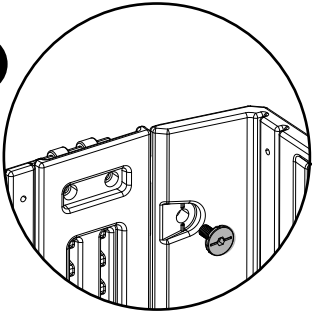


M5.5x19  
Y202338  
8pcs

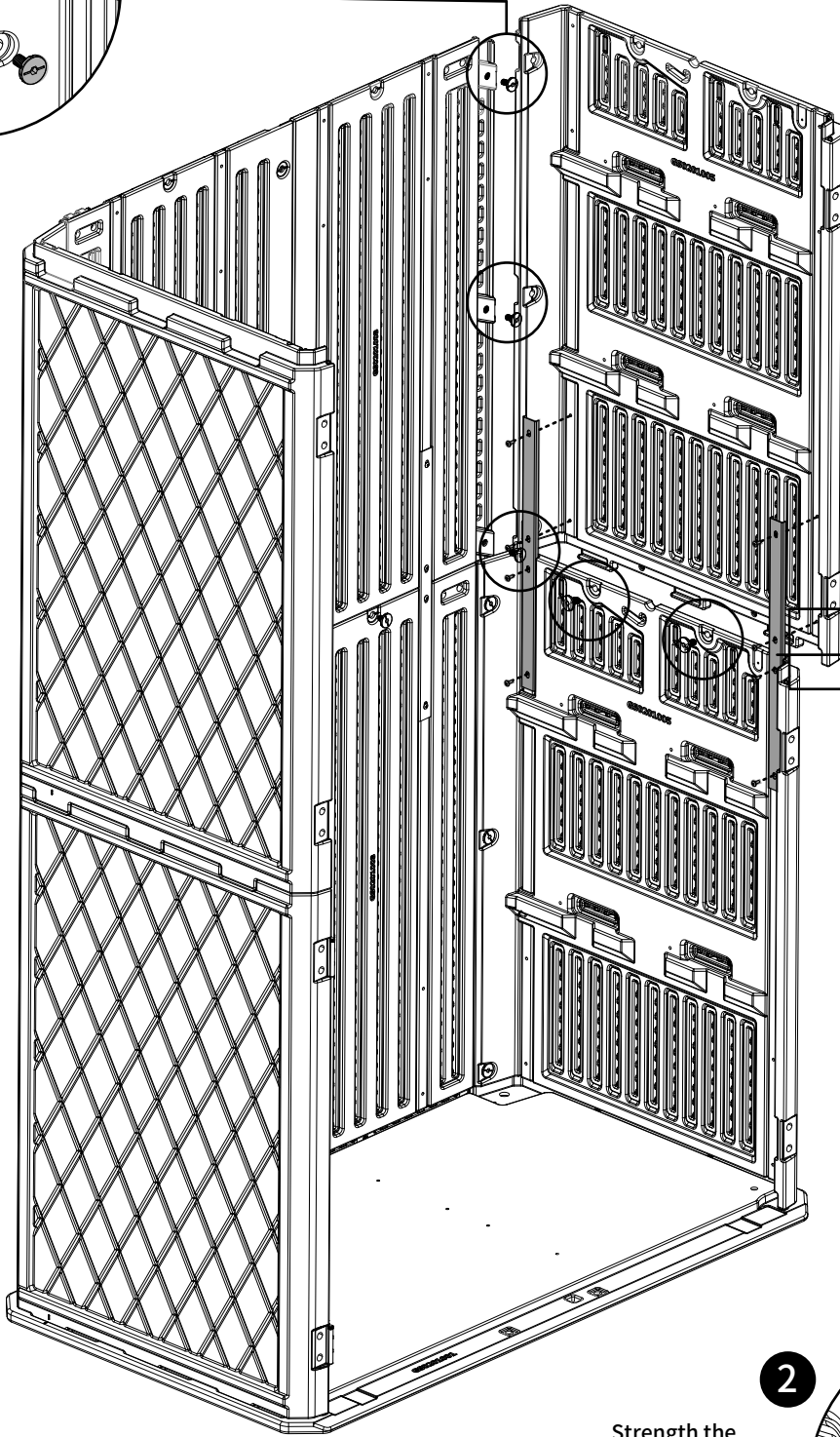


Plastic Bolts  
GS0201022  
M9.5\*25.5x 5pcs

**1**

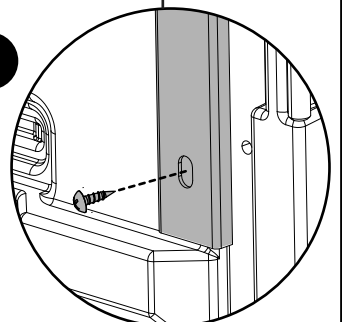


Plastic Bolts  
GS0201022  
M9.5\*25.5x 5pcs



up panel no bump

**2**

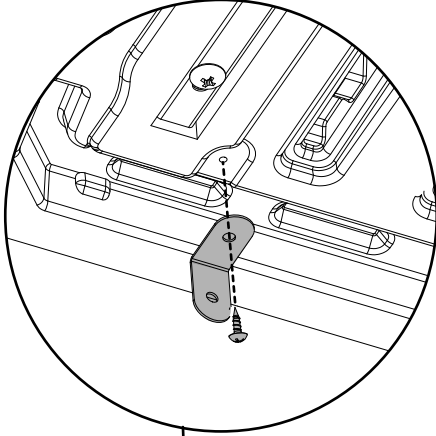
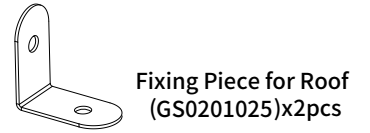
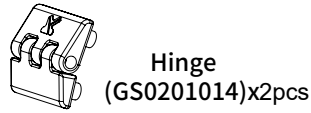
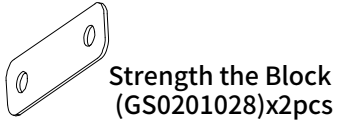
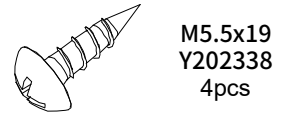


Strength the  
Connecting Rod  
(GS0201024)x 2pcs

M5.5x19  
Y202338  
8pcs

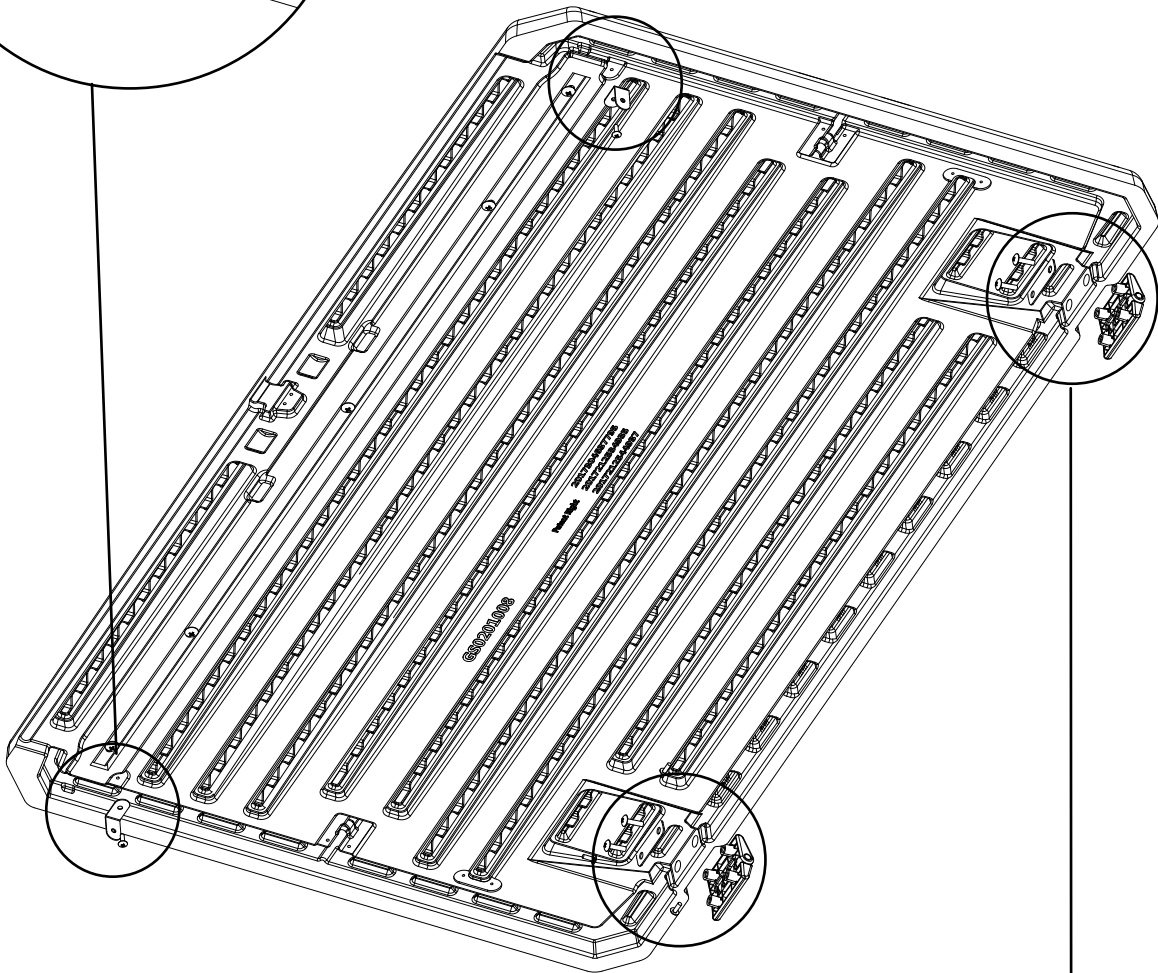
8

Roof accessories to install



M4x10 Y202333 2pcs

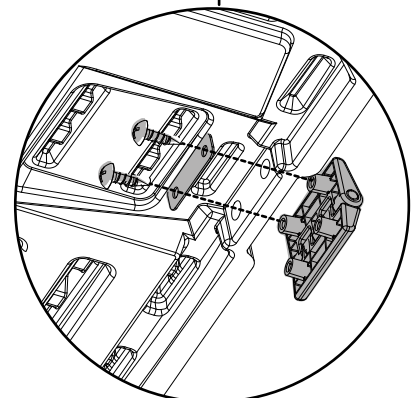
Fixing Piece for Roof (GS0201025)x2pcs



M5.5x19 Y202338 4pcs

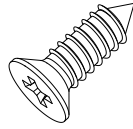
Hinge (GS0201014)x2pcs

Strength the Block (GS0201028)x2pcs

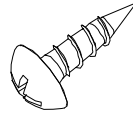


**9**

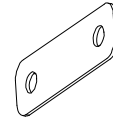
**Roof  
to install**



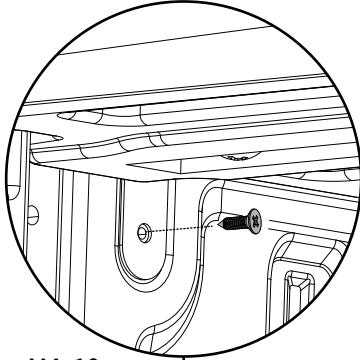
M4x10  
Y202333  
2pcs



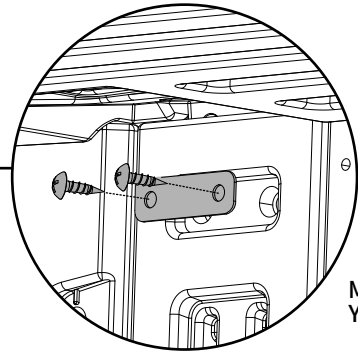
M5.5x19  
Y202338  
4pcs



Strength the Block  
(GS0201028)x2pcs

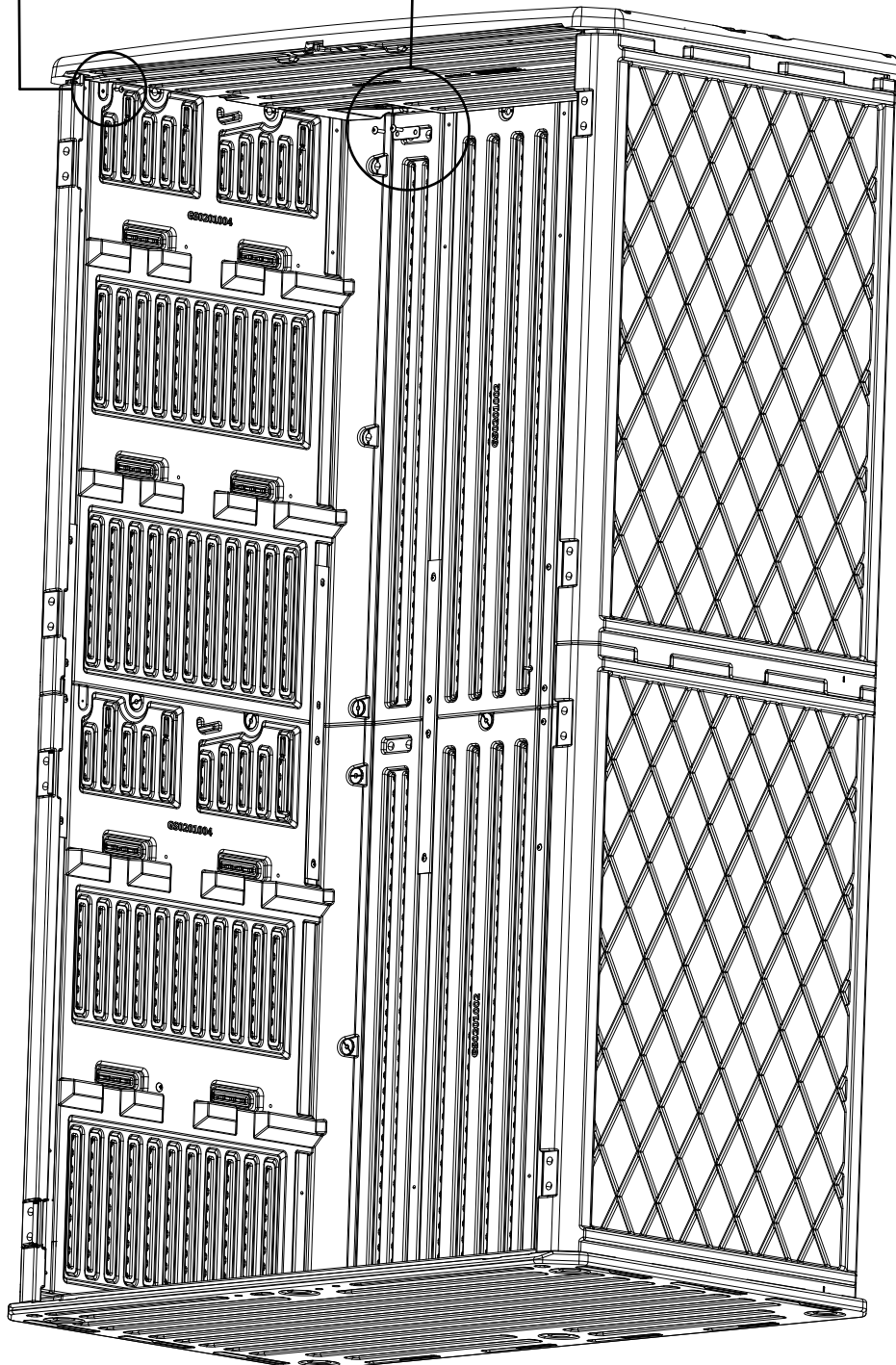


M4x10  
Y202333  
2pcs



M5.5x19  
Y202338  
4pcs

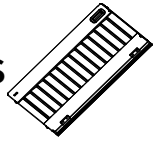
Strength the Block  
(GS0201028)x2pcs



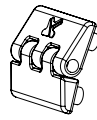


**10**

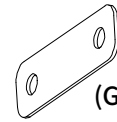
Door accessories to install



Right Door (GS0201007)



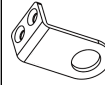
Hinge (GS0201014)x2pcs



Strength the Block (GS0201028)x2pcs



M4x10 Y202333 6pcs



L-1 (GS0201016)x1pcs



Latch -1 (GS0201018)x1pcs

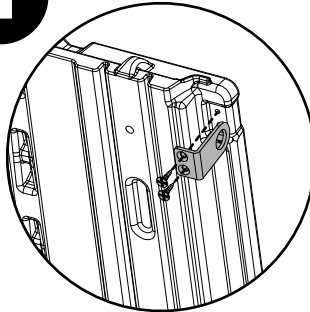


Latch -2 (GS0201019)x1pcs



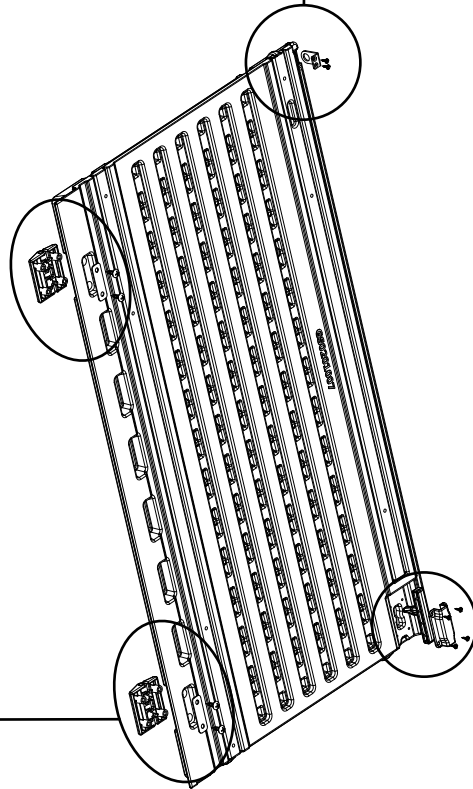
M5.5x19 Y202338 4pcs

**1**



M4x10 Y202333 2pcs

L-1 (GS0201016)x1pcs

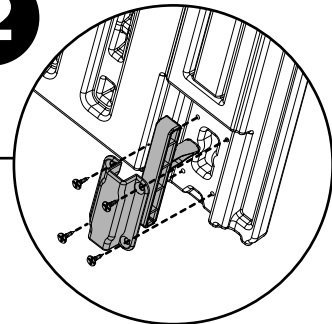


Latch -1 (GS0201018)x1pcs

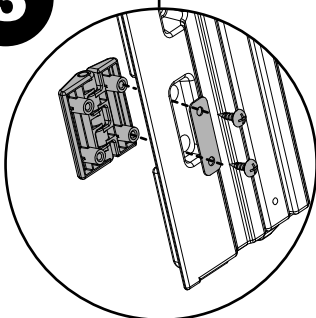
Latch -2 (GS0201019)x1pcs

M4x10 Y202333 4pcs

**2**



**3**



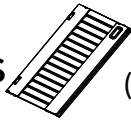
Strength the Block (GS0201028)x2pcs

Hinge (GS0201014)x2pcs

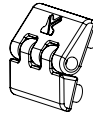
M5.5x19 Y202338 4pcs

# 11

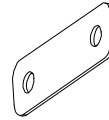
## Door accessories to install



Left Door  
(GS0201006)

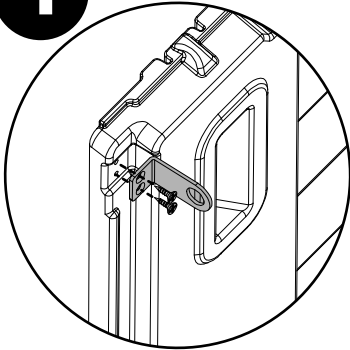


Hinge  
(GS0201014)x2pcs



Strength the Block  
(GS0201028)x2pcs

# 1

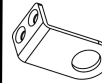


M4x10  
Y202333  
2pcs

L-2  
(GS0201017) x1pcs



M4x10  
Y202333  
2pcs

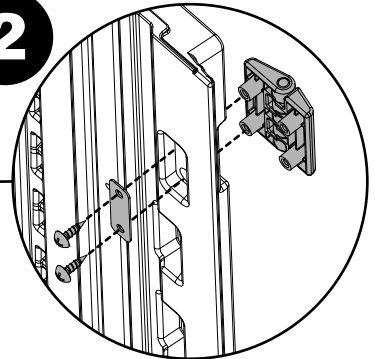


L-2  
(GS0201017) x1pcs



M5.5x19  
Y202338  
4pcs

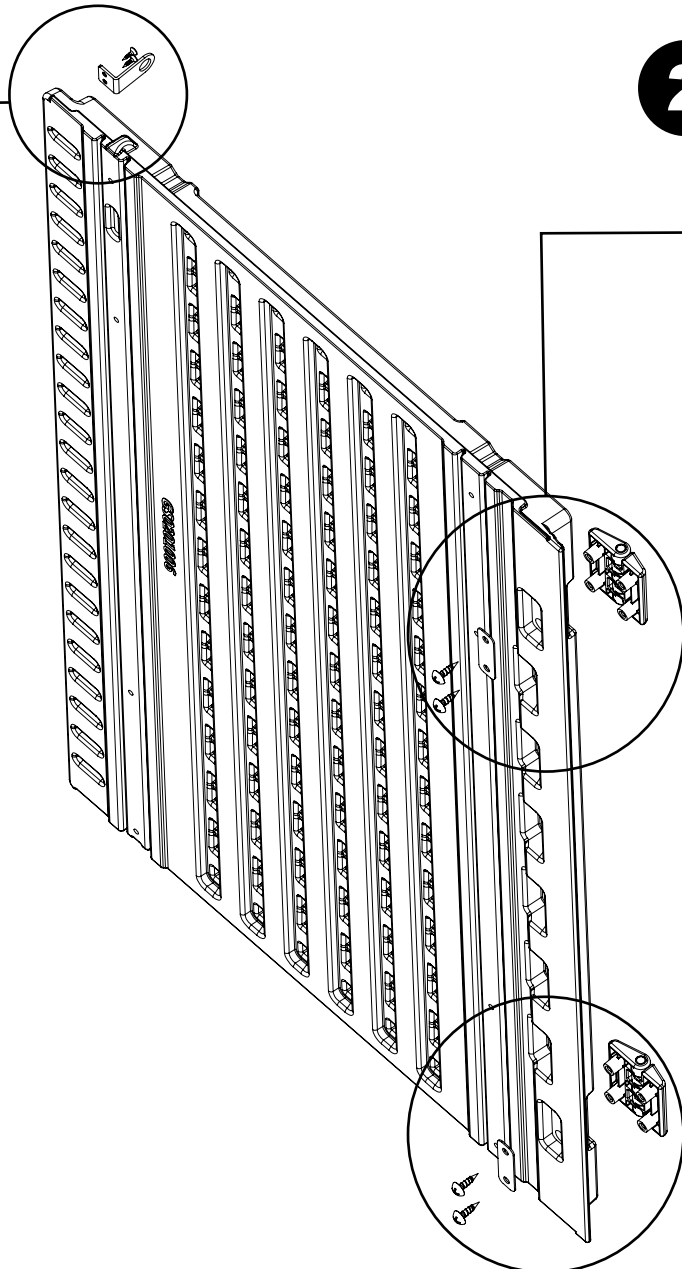
# 2



Hinge  
(GS0201014)x2pcs

Strength the Block  
(GS0201028)x2pcs

M5.5x19  
Y202338  
4pcs



**12**

# Right Door to install



Right door  
(GS0201007)x2pcs



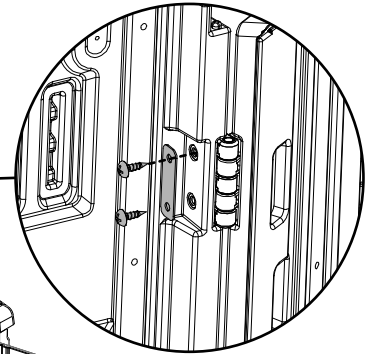
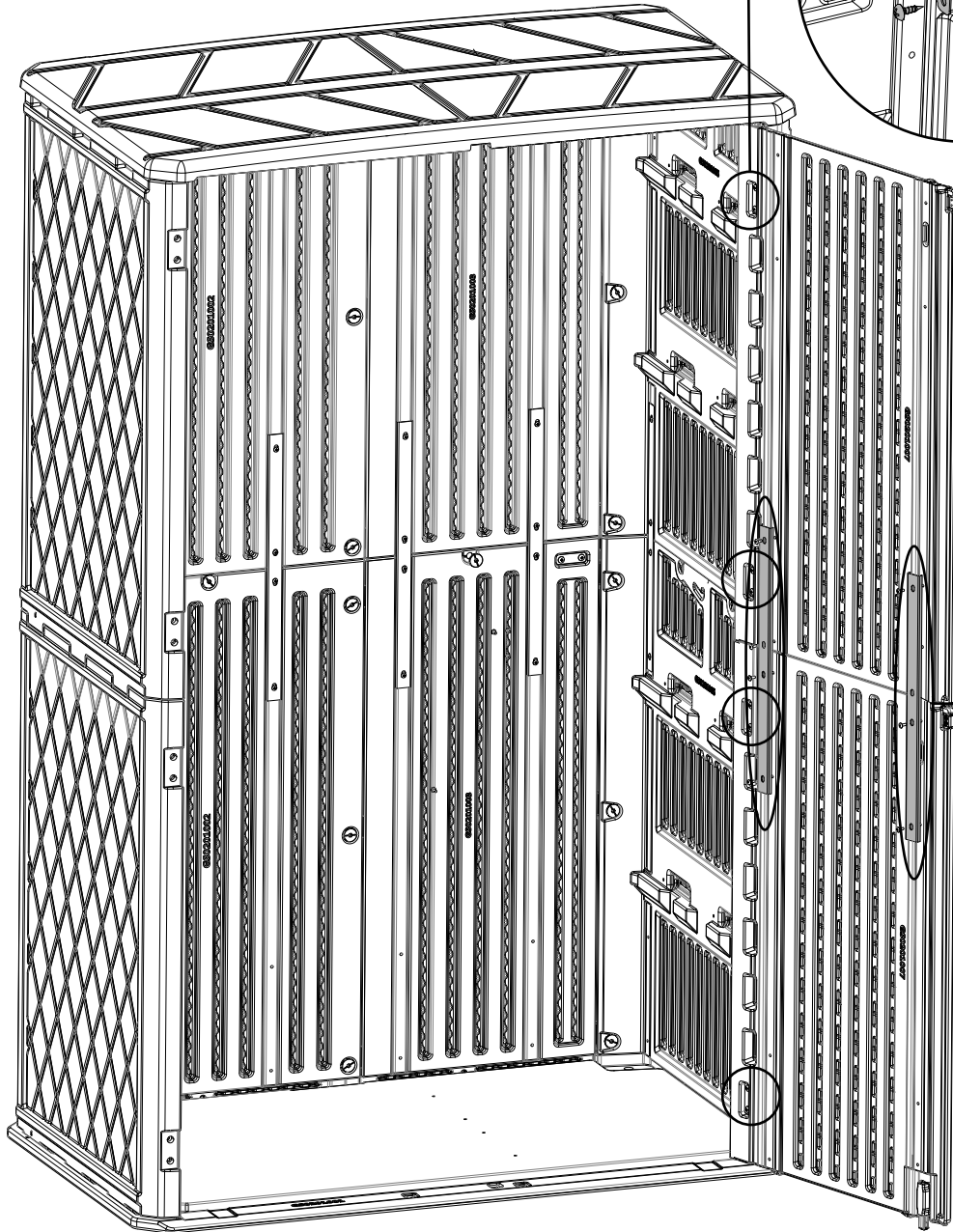
Strength the Block  
(GS0201028)x4pcs



Strength the  
Connecting Rod  
(GS0201024)x2pcs

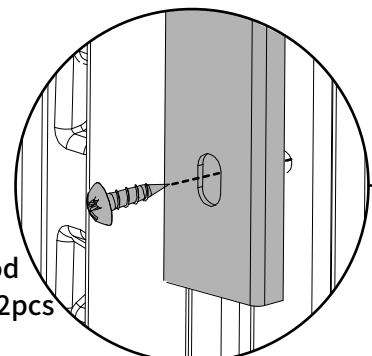


M5.5x19  
Y202338  
16pcs



M5.5x19  
Y202338  
8pcs

Strength the Block  
(GS0201028)x4pcs



M5.5x19  
Y202338  
8pcs

Strength the  
Connecting Rod  
(GS0201024)x 2pcs


# 13 Left Door to install



Left door  
(GS0201006)x2pcs



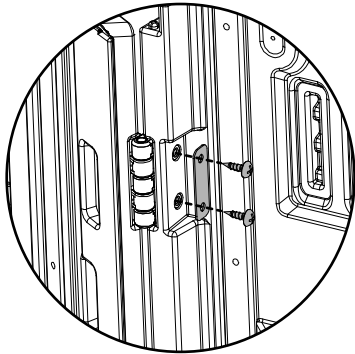
Strength the Block  
(GS0201028)x 4pcs



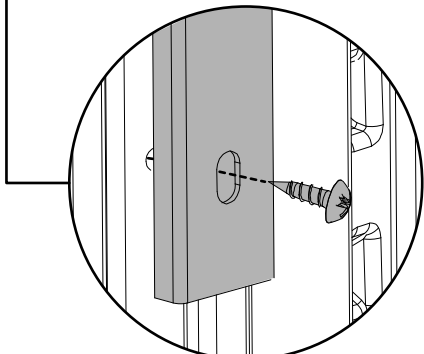
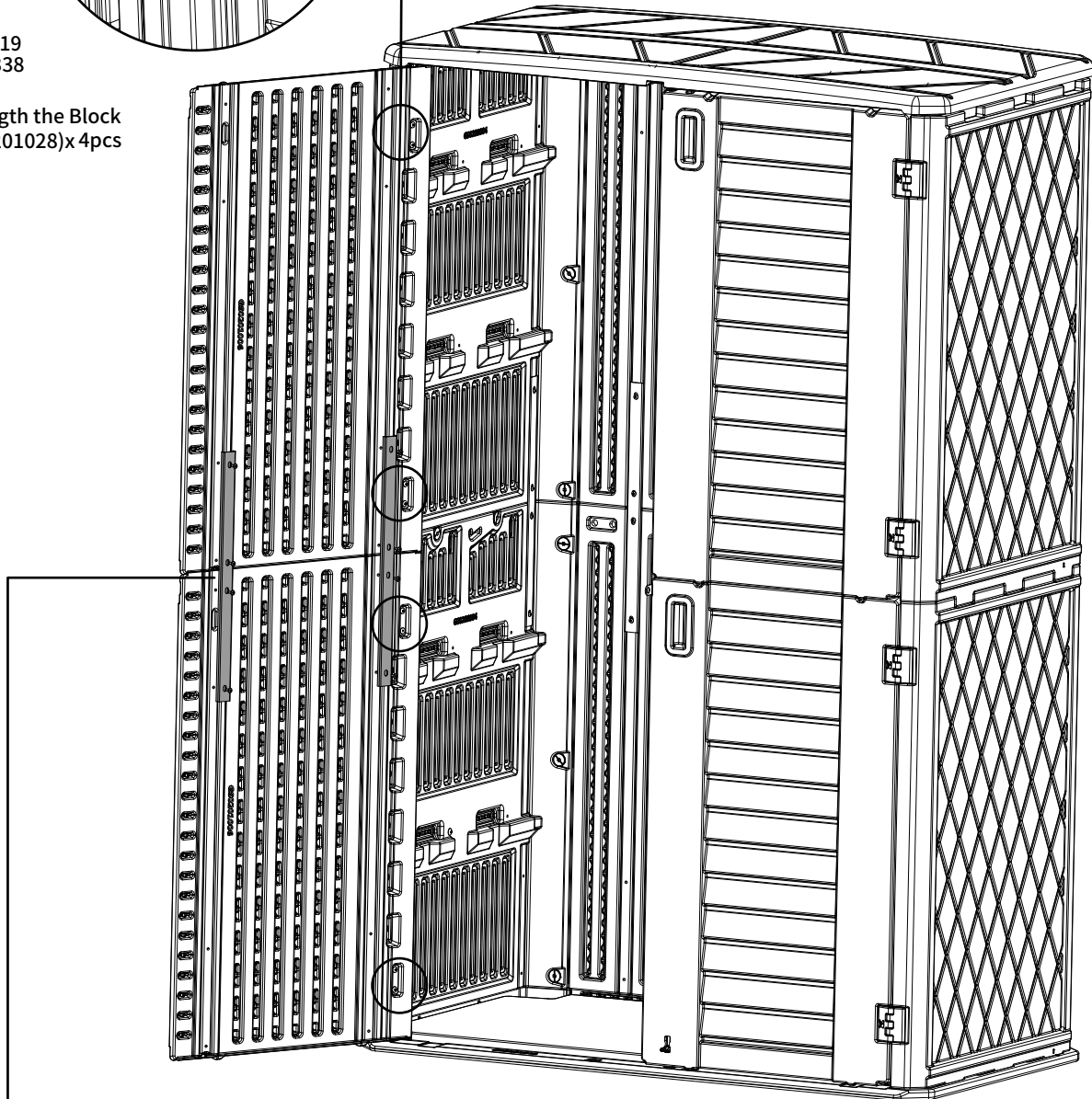
Strength the  
Connecting Rod  
(GS0201024)x2pcs



M5.5x19  
Y202338  
16pcs



M5.5x19  
Y202338  
8pcs  
Strength the Block  
(GS0201028)x 4pcs



M5.5x19  
Y202338  
8pcs

Strength the  
Connecting Rod  
(GS0201024)x2pcs