



Horti Cubic

Double Garden Shed Installation



#263-21300 GORDON WAY, RICHMOND, BC. CANADA V6W1J8

Warnings

Care must be taken when handling various pieces of your building since many contain sharp edges. Some parts may have sharp edges. It is advisable to wear gloves when handling these items and safety glasses if drilling holes.

Sensible shoes are highly recommended.

Do NOT attempt to assemble your building before double-checking that you have all the parts indicated.

in the parts lists. Any building left partially assembled may be seriously damaged by even light winds.

Do NOT attempt to assemble your building on a windy day. The large panels can catch the wind like a “sail”, making construction difficult and unsafe.

Keep children and pets away from the worksite during construction and until the building is completely assembled. This will help avoid distractions and any accidents which may occur.

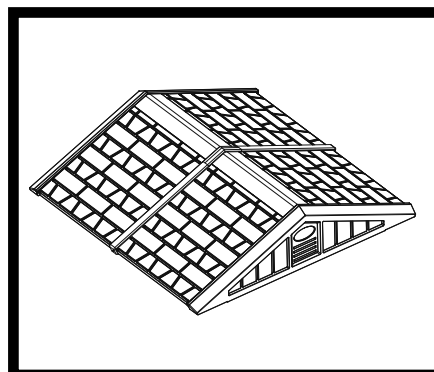
NEVER concentrate your weight on the roof of the building.

Before assembling any parts, your base should be constructed and an anchoring system should be ready to use.

The best location is a level area with good drainage.

Allow enough space outside the building to be able to access the roof with a ladder.

Use Teamwork: Two or more people are required to assemble your building.



Roof Bearing

The roof load reaches **50kg**

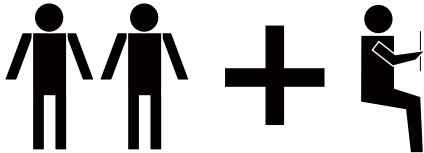
BEFORE BEGINNING ASSEMBLY



Keep the hardware bags and their contents separate. If any parts are missing, call our Customer Service Department.



Read the “Congratulations” letter on page 2-3. Identify and inventory all parts and hardware using the parts and hardware lists and identifiers in this document.



Two adults required to complete assembly
(+ one adult suggested as an instruction reader)

Only adults should set up the product. Do not allow children in the set-up area until assembly is complete.

TOOLS REQUIRED



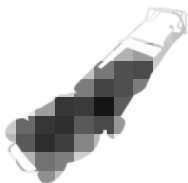
power drill



screw bits



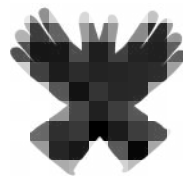
adjustable spanner



weeding machine



hammer



gloves



phillips screwdriver



ladder



leveling board



rake

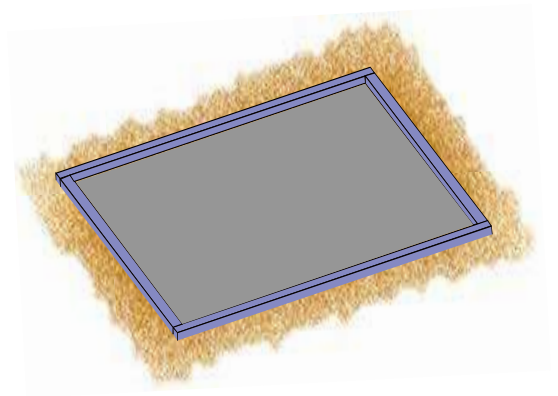


safety glasses
(one for each person)

LEVEL THE GROUND SURFACE

Site leveling means that the original ground is transformed into a site plane to meet the needs of the installation tool room by digging high and filling low.

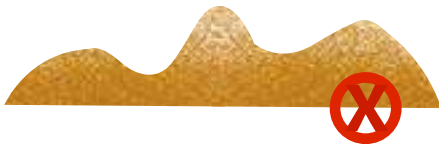
You need tools
leveling board



Cement Leveling

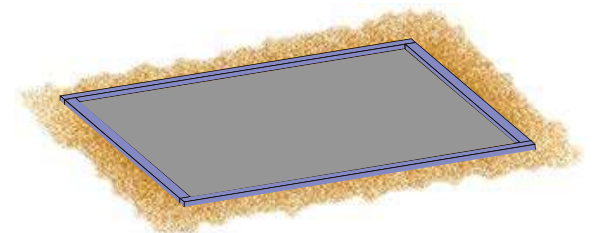
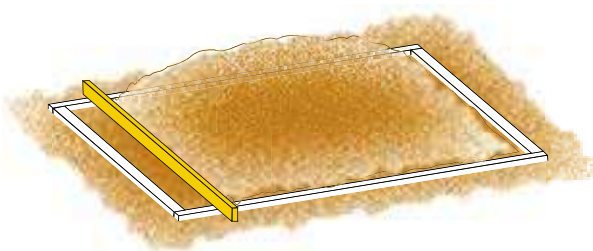


Use cement for leveling, do not use the following ground

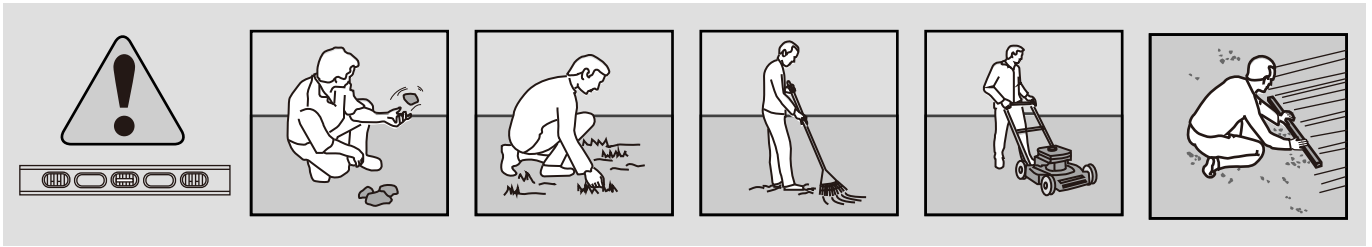


LEVEL THE GROUND SURFACE

Measuring with level ruler, cement leveling

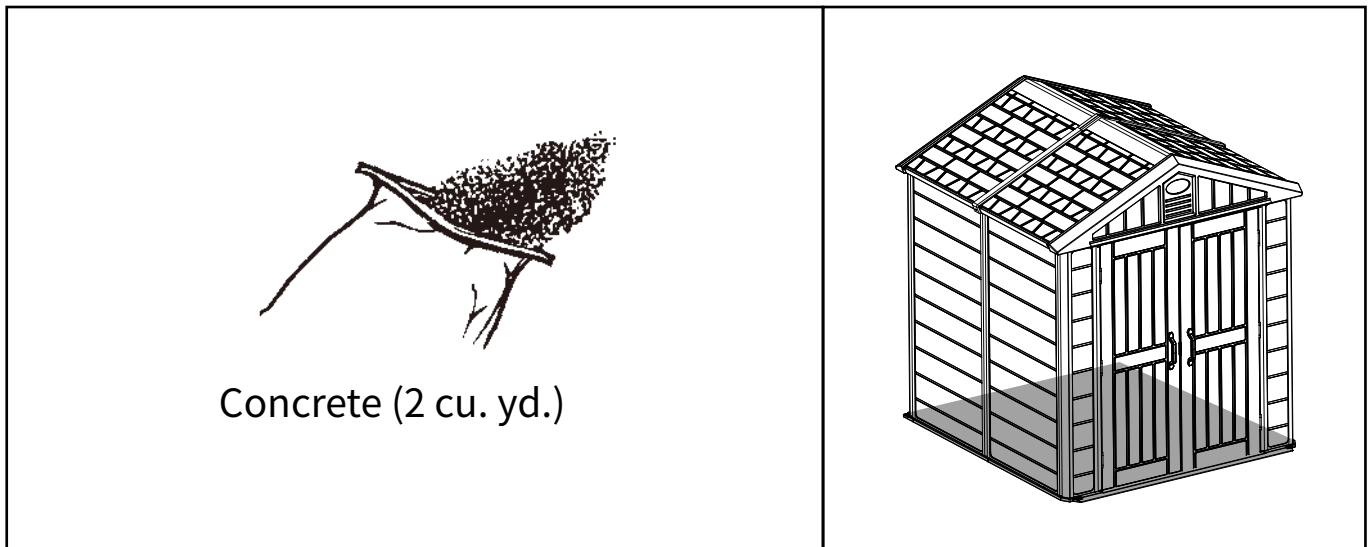


LEVEL THE GROUND SURFACE



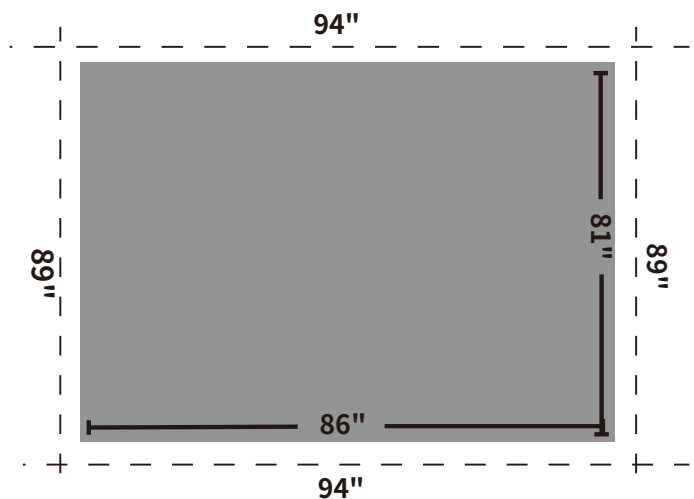
Level the ground surface before unpacking parts and beginning assembly.

HARDENING OF GROUND



Concrete (2 cu. yd.)

The actual dimensions of your shed (at its widest and longest points) are 81" x86". Ensure you select a site that will accommodate these measurements. The base of the shed is slightly smaller than this, so you will need to create a level surface that is at least 89" x94". We recommend using a level cement or patio style surface. This will provide the best long-term performance for your shed.



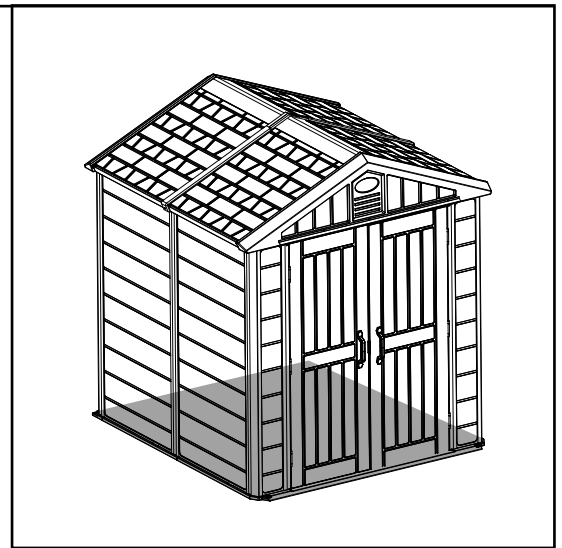
Note: Surface must be leveled before installation. If the surface is not properly leveled, the Outdoor Shed will not assemble. Proper surface leveling will save you time in the long run, so please do not ignore this step.

Note: Any platform or similar structure should be built above ground in order to avoid water pooling inside the Shed.

HARDENING OF GROUND

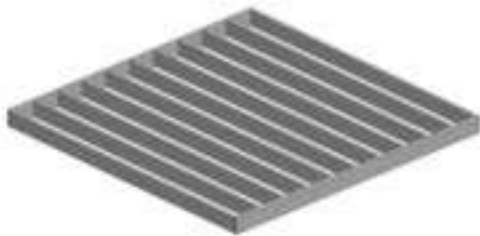
ALTERNATIVE SITE PREPARATION:

OPTION 1 - WOOD PLATFORM ASSEMBLY



Optional installation for nonflatness ground

A

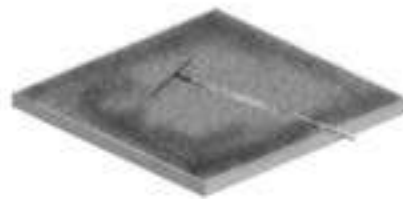


①



②

B



Note: All lumber must be rated for outdoor use. !

Note: Surface must be leveled before installation. If the surface is not properly leveled, the Outdoor Shed will not assemble or function correctly. Proper surface leveling will save you time in the long run, so please do not ignore this step.

IMPORTANT NOTICES

Level Surface Notice:

Surface must be leveled before installation. We recommend building a level work space with a concrete or patio style surface. If the surface is not properly leveled, the Outdoor Shed will not assemble correctly. Proper surface leveling will save you time in the long run, so please do not ignore this step.

Building Code Notice:

Consult all local building codes, as well as city and county ordinances, to ensure that the construction of the Outdoor Shed does not require a building permit. Proper building permit documentation may be required in your neighborhood, and it would be unfortunate to learn this after constructing the Shed.

Screwdriver Notice:

You may use a #2 Phillips head screwdriver bit and a power screwdriver or drill, instead of a hand screwdriver. However, be aware that the plastic pieces of your Shed can be damaged by overtightening of screws. To avoid damage we strongly recommend the use of a low-powered power screwdriver or a drill that has an adjustable clutch that is set on a low torque setting. If neither is available, use a hand screwdriver. In any case use caution to avoid overtightening the screws.

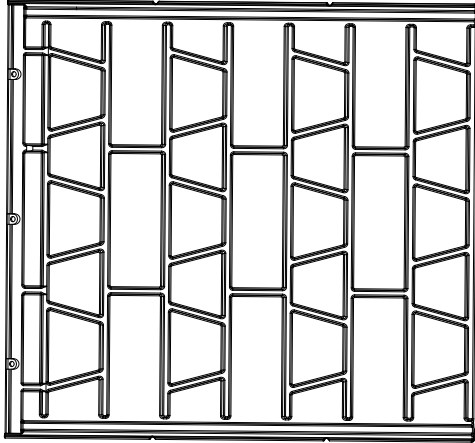
Floor Puncture Notice:

Sharp objects may damage your floor. If resting sharp, heavy objects on your Shed floor, place a block of wood between the sharp object and floor.

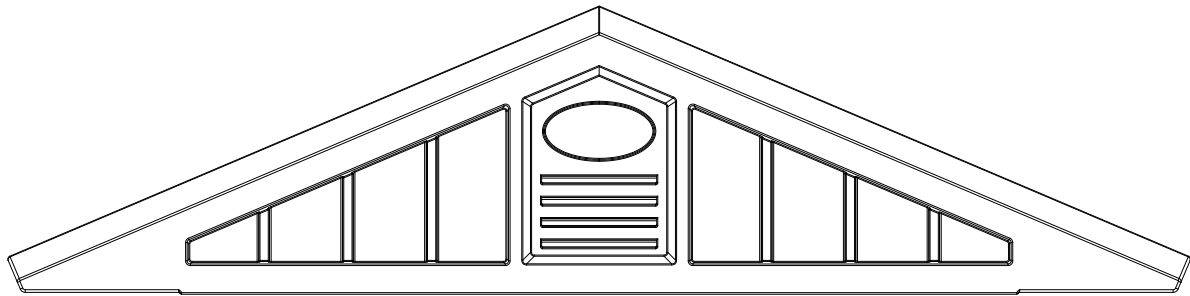
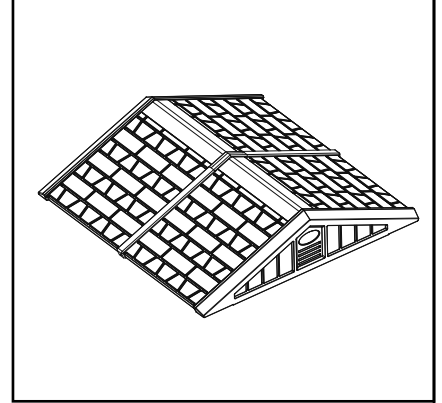
CAUTION:

If more than six (6) inches of snow accumulate on the roof of the shed, carefully remove the snow to avoid possible roof collapse. While standing on the ground, remove the snow from the roof with a broom or snow shovel. Do not stand on the roof to remove snow.

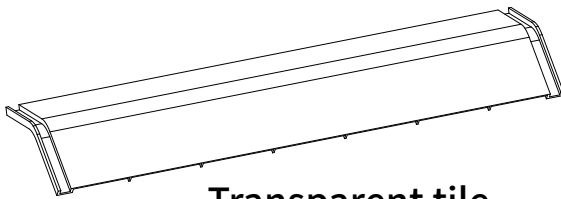
Roof



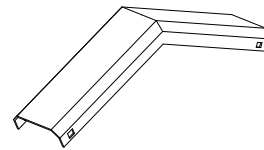
Tile
GS0101009
1078*1003*88 (mm) x4pcs



Post stand
GS0101010
2216.7*540*114 (mm) x2pcs



Transparent tile
GS0101012
977*266*170 (mm) x2pcs



Tile plate
GS0101015
138*120*39 (mm) x1pcs

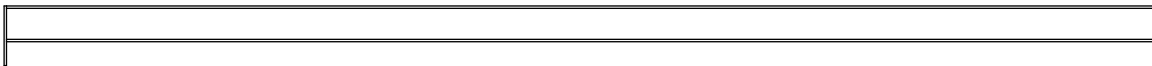


Tile plate
GS0101016
1018*76*73 (mm) x2pcs

Primary structural membe



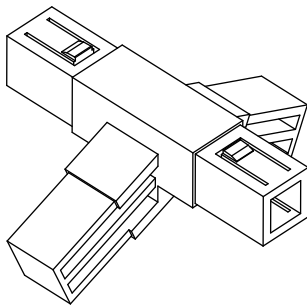
Brace girder
GS0101036
608*20*2.5 (mm) x1pcs



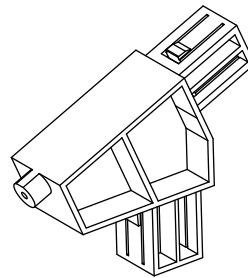
Side girder
GS0101026
1002*30*30 (mm) x2pcs



Transom
GS0101029
1045*30*30 (mm) x2pcs



Upper beam connector
GS0101017
152*150*70 (mm) x1pcs

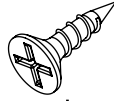


Tile joint
GS0101015
138*120*39 (mm) x2pcs

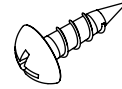
Hardware



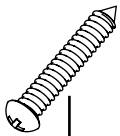
cap nut
Y202290
M6×2pcs



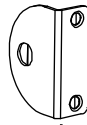
flat-head self-tapping screws
Y202335
M5×16×31pcs



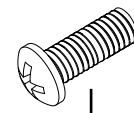
pan-head self-tapping screws
Y202332
M6×20×8pcs



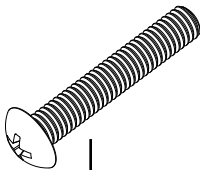
truss-head self-tapping screws
Y202339
M5×20×112pcs



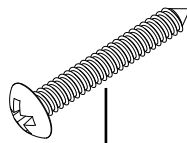
door strike plate
(GS0101034)×2pcs



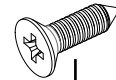
carriage bolt
Y202328
M6×20×20pcs



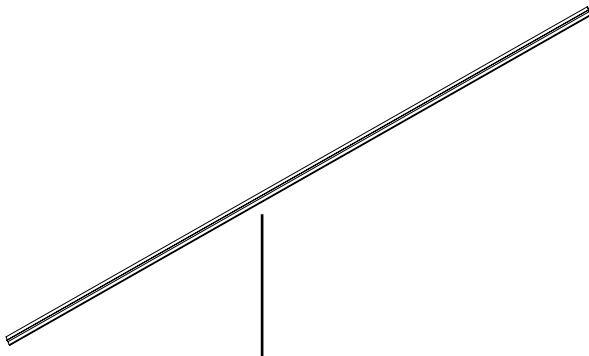
truss-head carriage bolt
Y202468
M6*40×2pcs



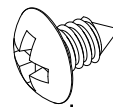
truss-head self-tapping screws
Y202340
M5*40×8pcs



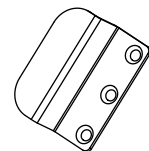
flat-head self-tapping screws
Y202334
M4x14×32pcs



front door upper sealing strip
GS0101094

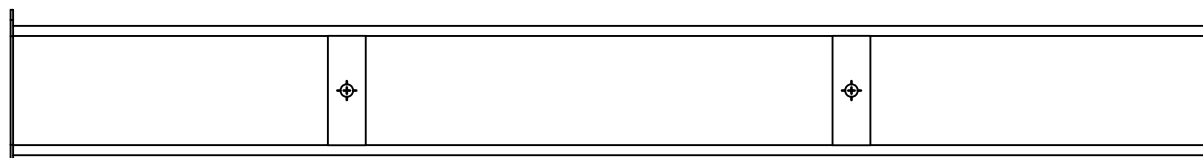


pan-head self-tapping screws
Y202331
M4×10×16pcs

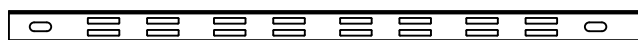


door stop
GS0101033

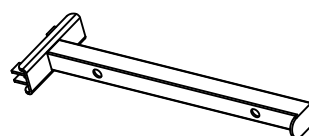
Optional accessories



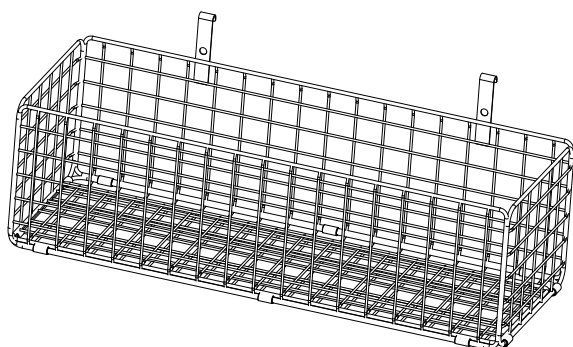
Hook rack



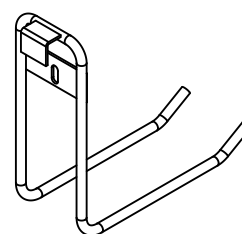
Hook rail



Hook



Hanging basket



Hose hook

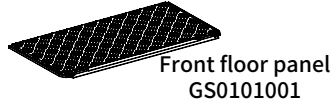
Notes: The above accessories can be freely matched

Parts List

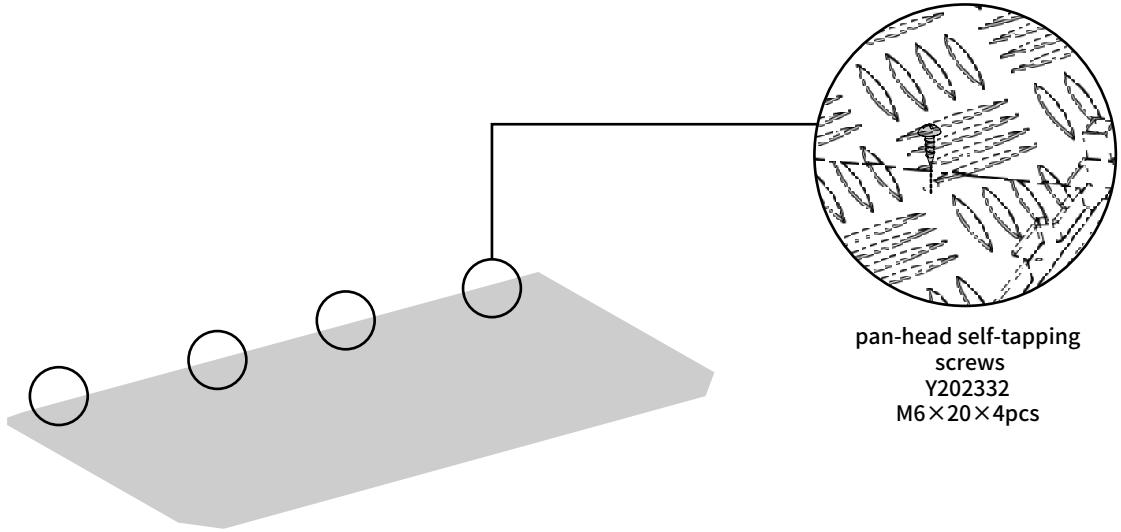
No.	identifier	name	specification (mm)	material	quantity
1	GS0101002	center floor panel	2080x1054x35.5	HDPE	1
2	GS0101003	back floor panel	2080x188x35.5	HDPE	1
3	GS0101004	wall panel	1985x965x36	HDPE	5
4	GS0101005	corner wall panel	1985x242.5x36	HDPE	2
5	GS0101006	door	1944x703x43.5	HDPE	2
6	GS0101007	window wall panel	1985x965x36	HDPE	1
7	GS0101108	left window	534x337x25	HDPE	1
8	GS0101109	right window	534x353x25	HDPE	1
9	GS0101009	roop panel	1078x1003x88	HDPE	4
10	GS0101010	gable	2216.7x540x114	HDPE	2
11	GS0101011	upright post fastener	50x50x70	nylon	9
12	GS0101012	skylight	977x266x66	nylon	2
13	GS0101013	door frame fastener	40x40x90	nylon	7
14	GS0101014	upper beam cap panel	350x76x98	nylon	1
15	GS0101015	roof cap connector	138x120x39	nylon	2
16	GS0101016	center roof cap	1040x76x77	nylon	2
17	GS0101017	upper beam connector	153x151x65	nylon	1
18	GS0101018	door handle	291x46x68	nylon	2
19	GS0101019	door handle inside	66x65.5x28	nylon	2
20	GS0101113	door latch	73x30.5x7	nylon	4
21	GS0101114	latch block	55x35x12.5	nylon	4
22	GS0101021	corner upright post	1963x118x66	PVC	4
23	GS0101022	uptight post between wall panels	1963x97x34	PVC	3
24	GS0101023	door upright post	1963x85x34	PVC	2
25	GS0101025	window rain shed	800x40x32.5	PVC	1
26	GS0101026	side girder	967x30x30	galvanized pipe	2
27	GS0101029	truss beam	1045x30x30	galvanized pipe	2
28	GS0101033	door stop	65x46x25	Q235	1
29	GS0101034	door strike plate	58x41x22	304	2
30	GS0101035	window hinge	52x25x5	304	4
31	GS0101036	roof truss brace	608x20x2.5	cold-roll steel	1
32	GS0101037	pc transparent panel	430x245x3	pc	2
33	GS0101042	door hinge	124x31x31	304	6
34	GS0101094	front door upper sealing strip	1400x36	PVC	1
35	GS0101061	back square upright post	30x30x1903	galvanized pipe	1
36	GS0101062	side square upright post	30x30x1893	galvanized pipe	2
37	Y202334	flat-head self-tapping screws	M4x14	304	32
38	Y202335	flat-head self-tapping screws	M5x16	304	31
39	Y202331	pan-head self-tapping screws	M4x10	304	16
40	Y202332	pan-head self-tapping screws	M6x20	304	8
41	Y202328	carriage bolt	M6x20	304	20
42	Y202339	truss-head self-tapping screws	M5x20	304	112
43	Y202340	truss-head self-tapping screws	M5x40	304	8
44	Y202468	truss-head carriage bolt	M6x40	304	2
45	Y202604	expansion screw	M10x100	304	4
46	Y202467	blind rivets	M4x13	aluminum	24
47	Y202537	flat washer	Φ16xΦ5.3x1	304	8
48	Y202350	flat washer	M6	304	2
49	Y202604	flange nut	M6	304	20
50	Y202290	cap nut	M6	304	2

1

Floor
to install

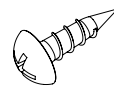


pan-head self-tapping
screws
Y202332
M6×20×4pcs

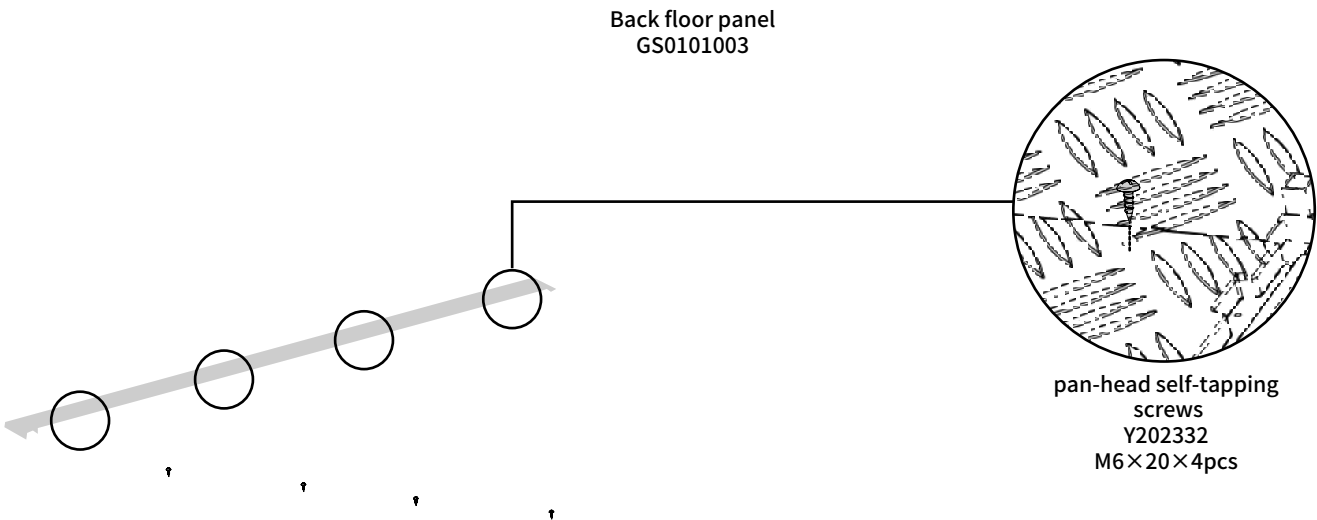


2

Back floor pane
to install



pan-head self-tapping
screws
Y202332
M6×20×4pcs

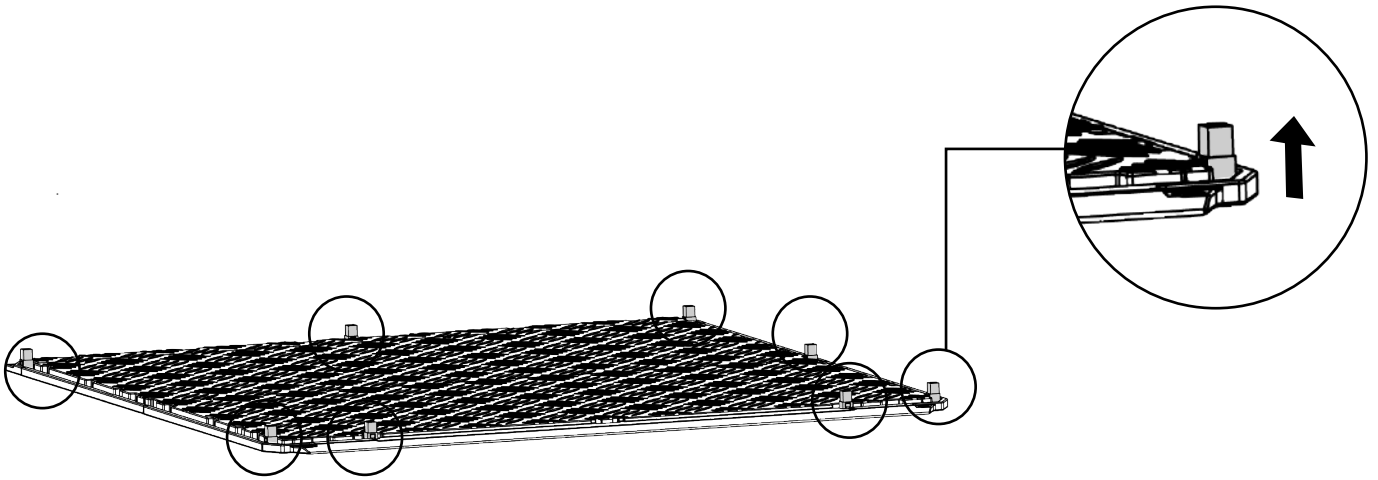


3

Door frame stand
to install

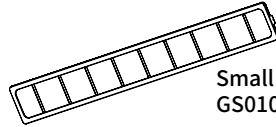


Door frame stand
GS0101013



4

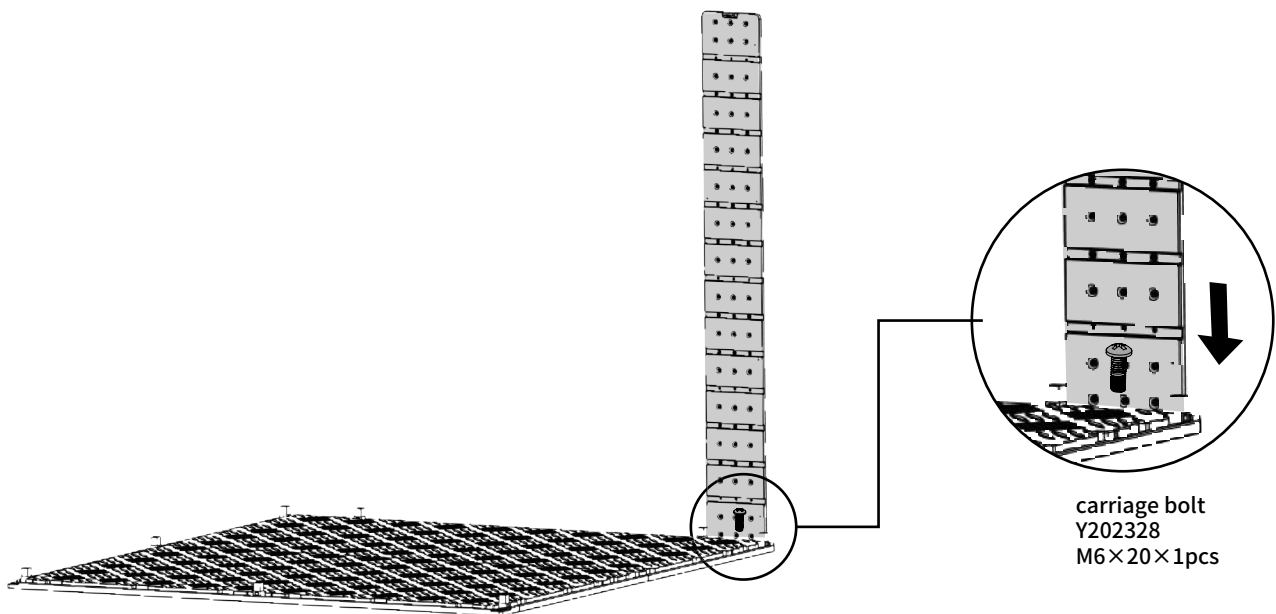
Small wall panel
to install



Small wall panel
GS0101005

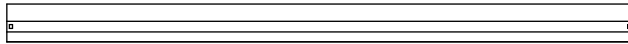


carriage bolt
Y202328
M6×20×1pcs

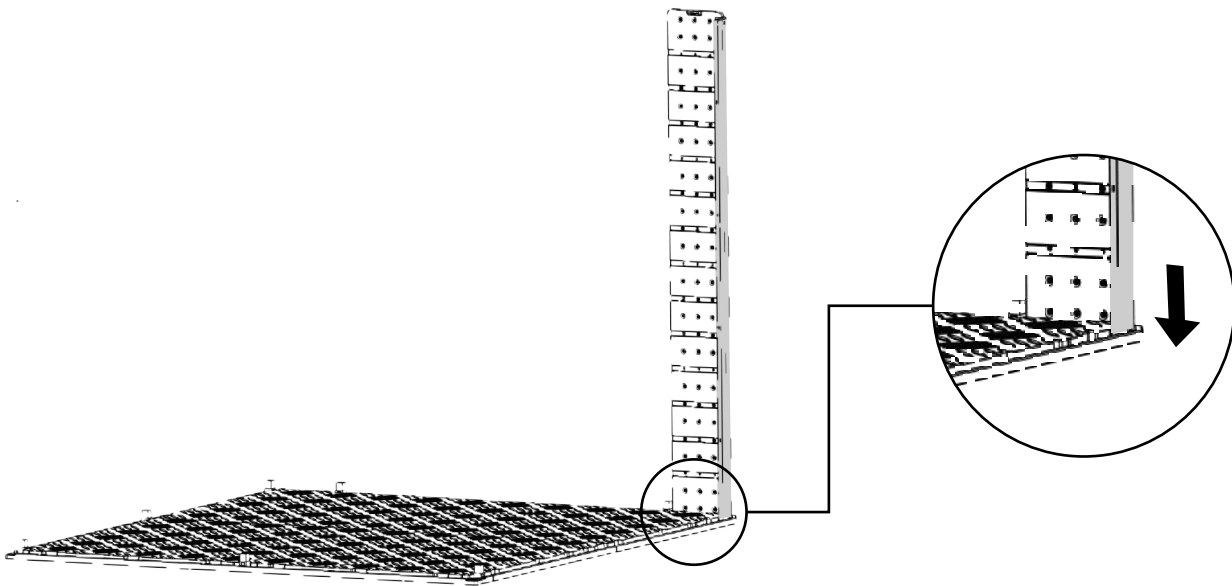


carriage bolt
Y202328
M6×20×1pcs

5 corner upright post
post to install



corner upright post
GS0101021



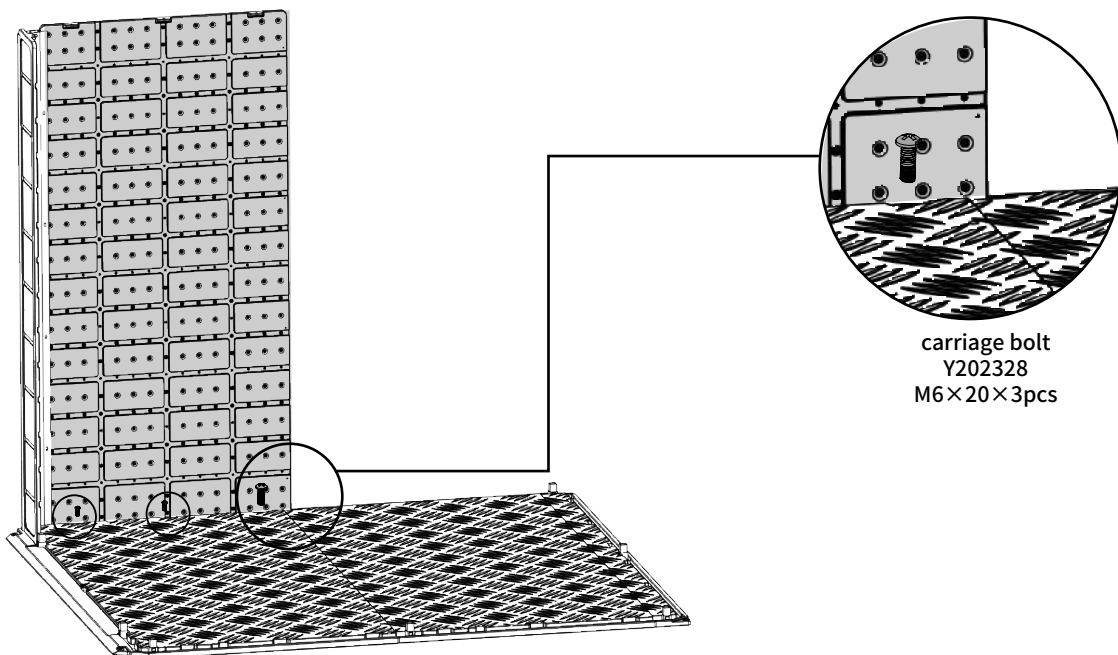
6 Big wall panel
post to install



Big wall panel
GS0101004

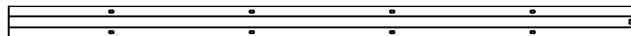


carriage bolt
Y202328
M6×20×3pcs

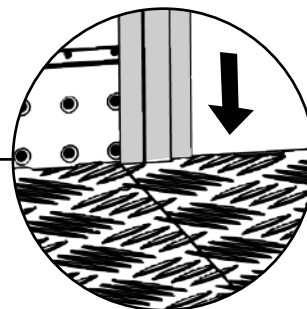
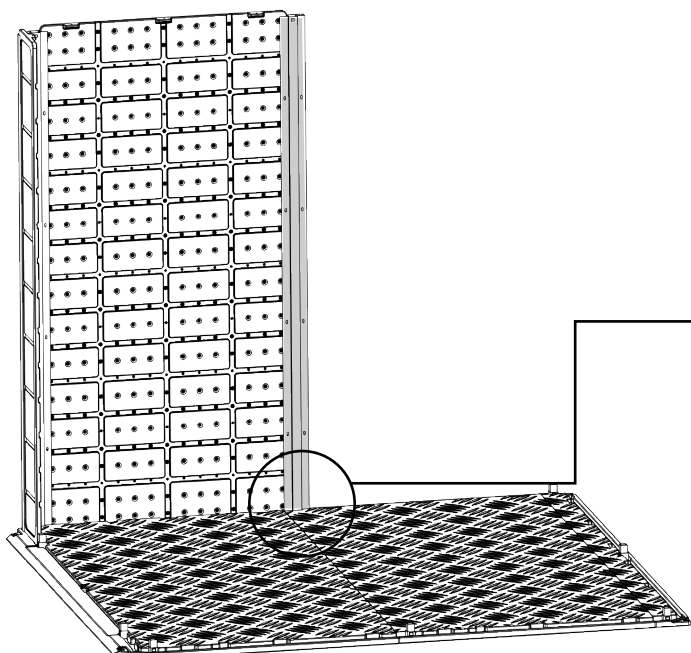


7

upright post between wall panels post to install



upright post between wall panels
GS0101022



8

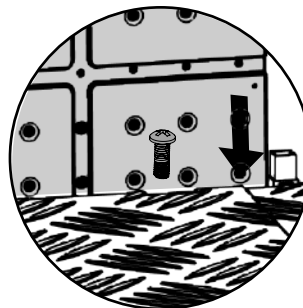
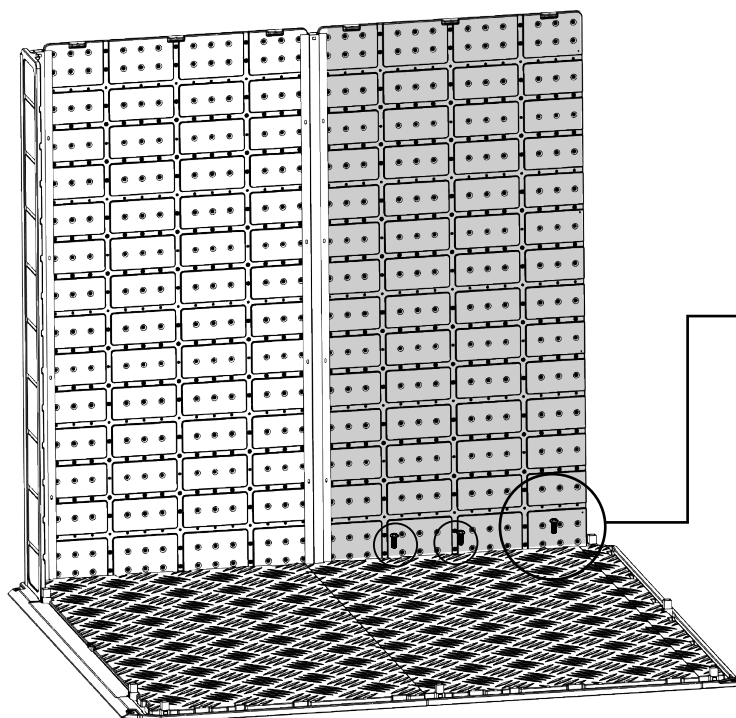
Big wall panel post to install



Big wall panel
GS0101004



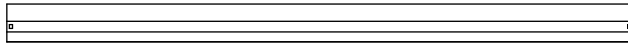
carriage bolt
Y202328
M6×20×4pcs



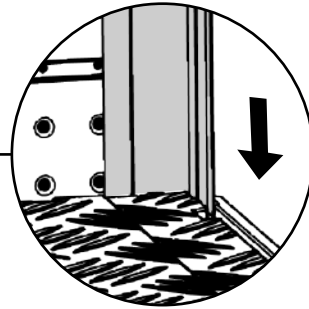
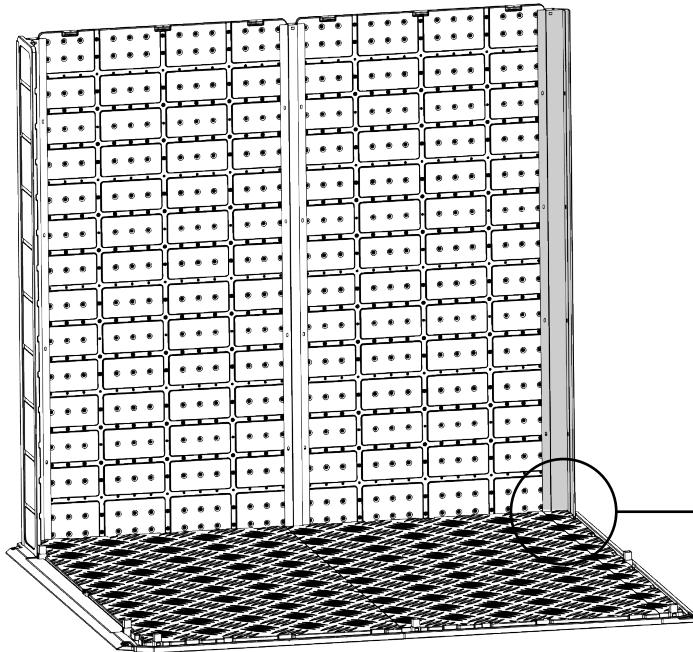
carriage bolt
Y202328
M6×20×4pcs

9

corner upright post
post to install



corner upright post
GS0101021



10

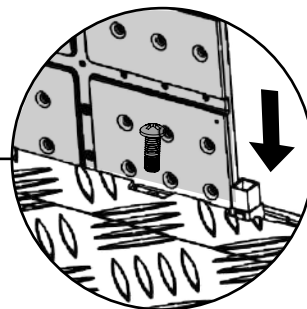
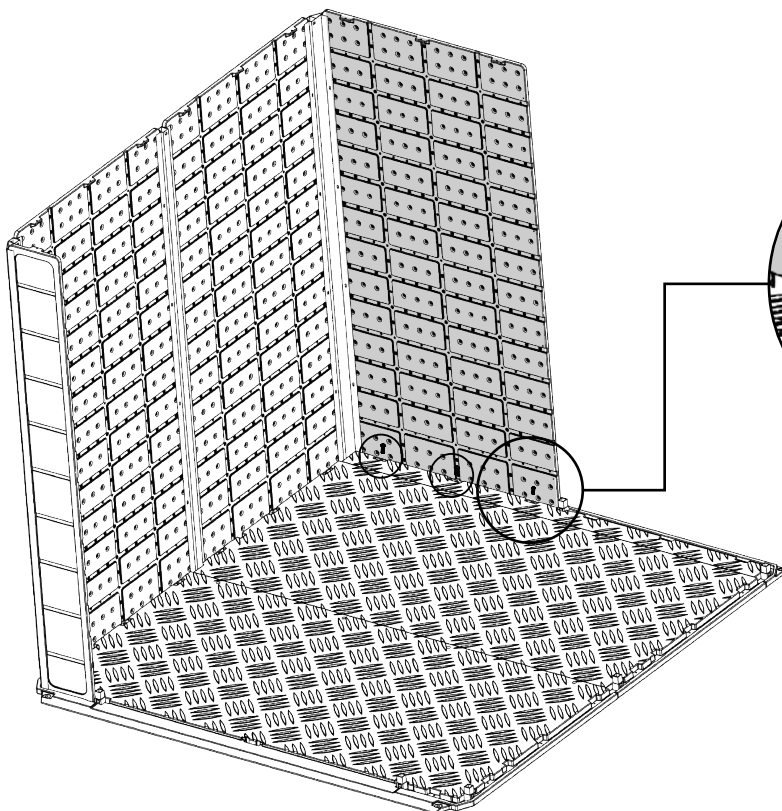
Big wall panel
post to install



Big wall panel
GS0101004



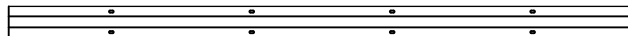
carriage bolt
Y202328
M6×20×3pcs



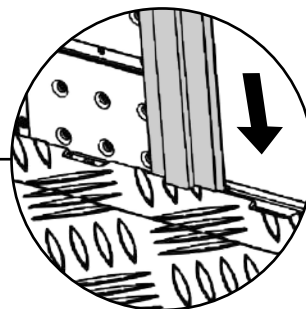
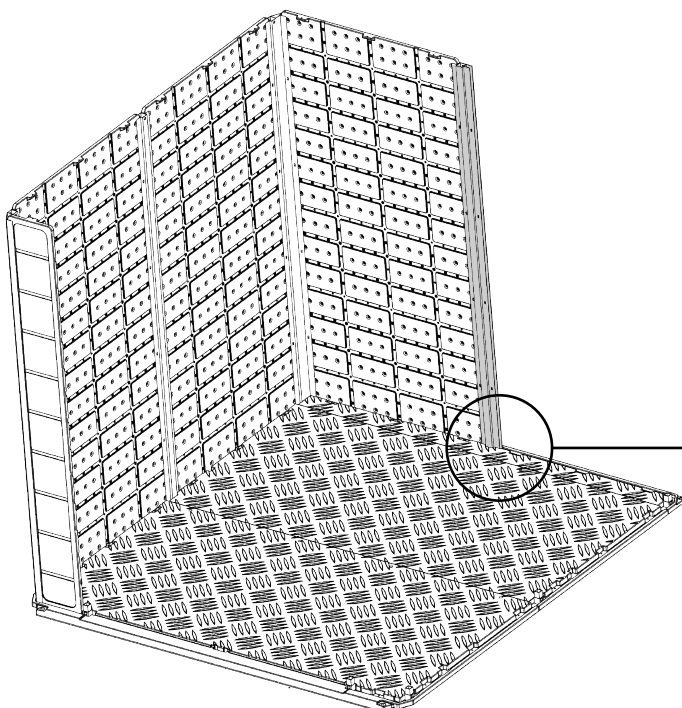
carriage bolt
Y202328
M6×20×3pcs

11

uptight post between wall panels post to install



uptight post between wall panels
GS0101022



12

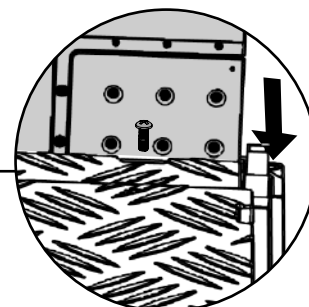
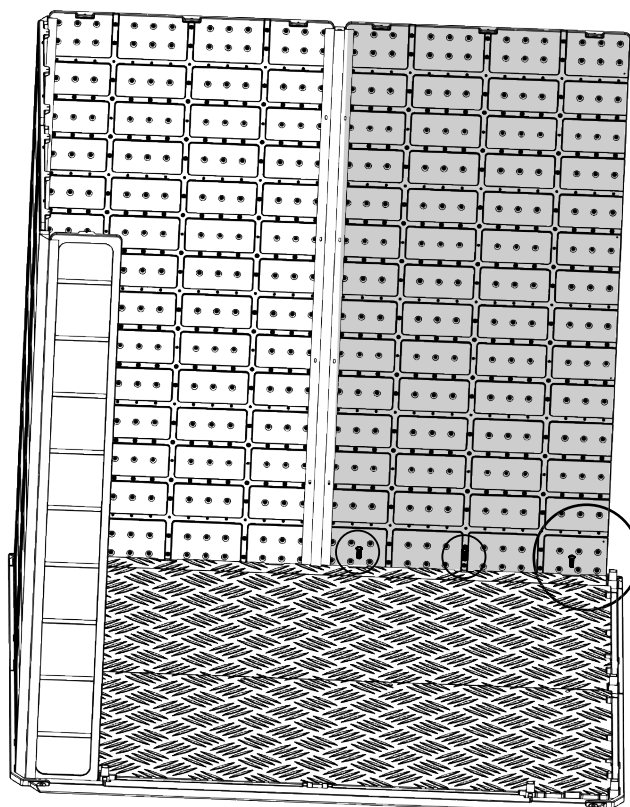
Big wall panel post to install



Big wall panel
GS0101004

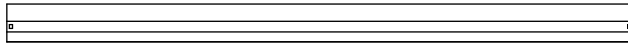


carriage bolt
Y202328
M6×20×3pcs

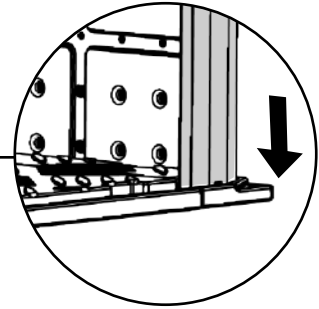
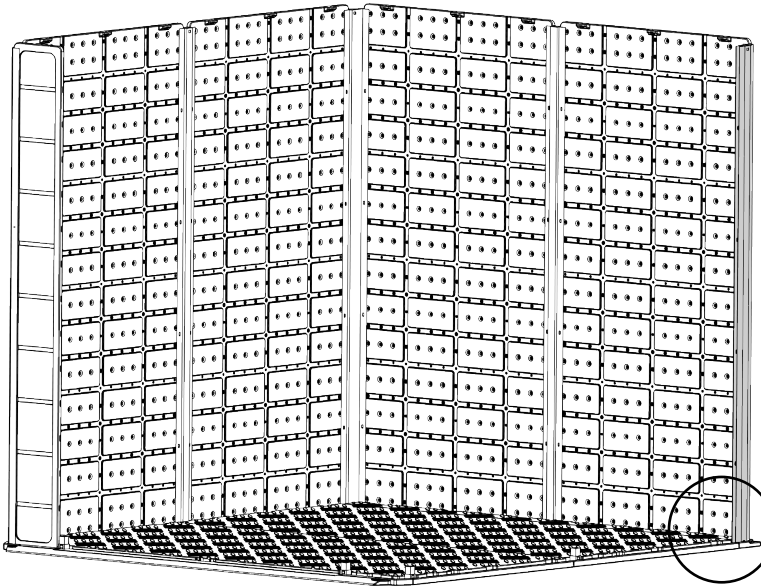


carriage bolt
Y202328
M6×20×3pcs

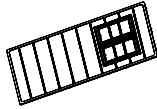
13 corner upright post
post to install



corner upright post
GS0101021



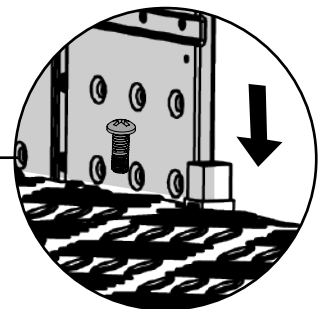
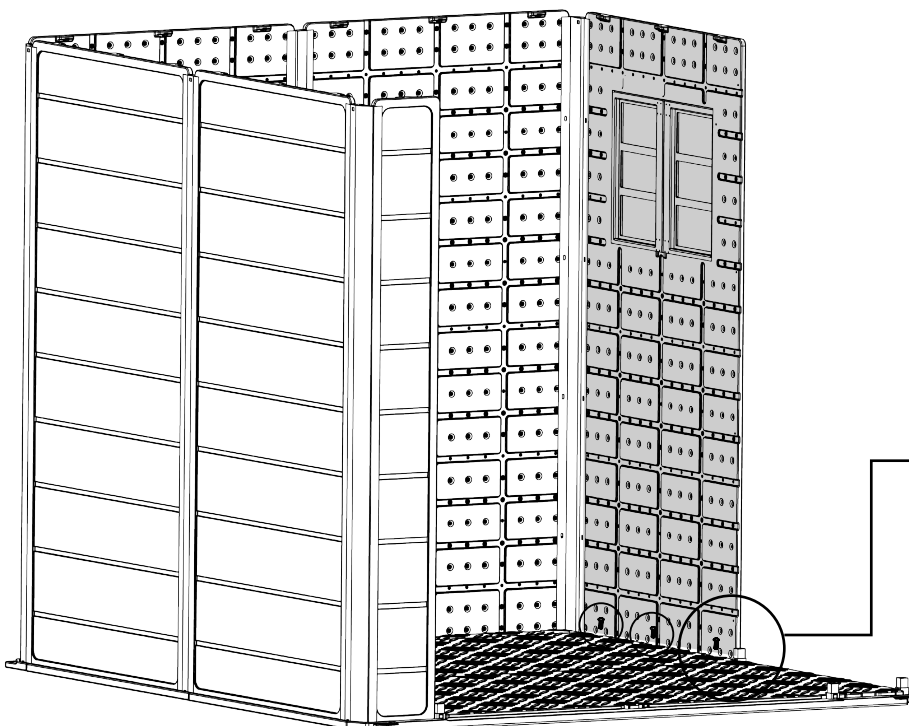
14 window wall panel
post to install



window wall panel
GS0101007



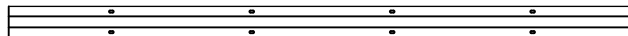
carriage bolt
Y202328
M6×20×3pcs



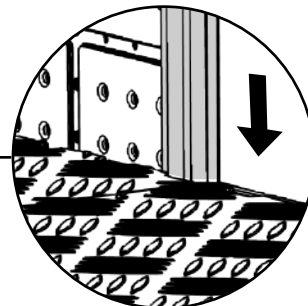
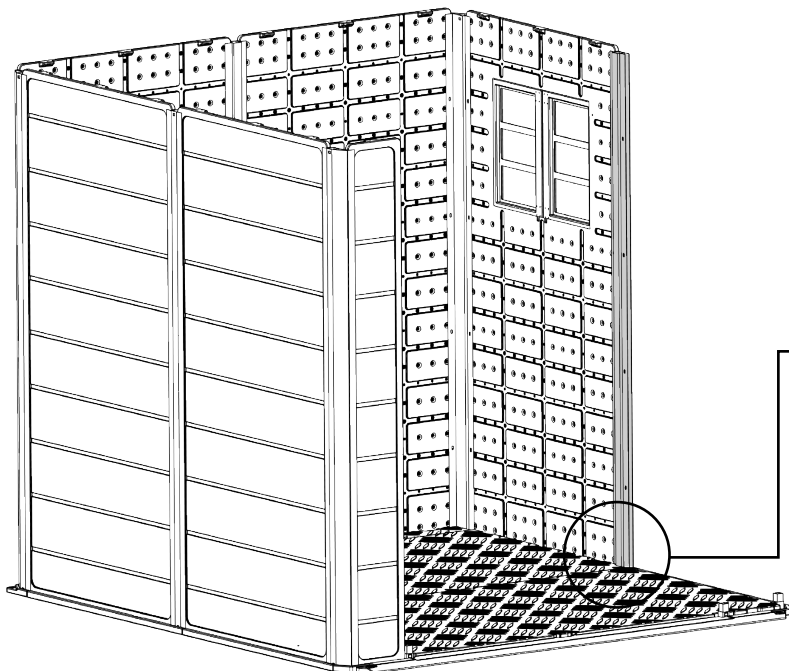
carriage bolt
Y202328
M6×20×3pcs

15

uptight post between wall panels post to install



uptight post between wall panels
GS0101022



16

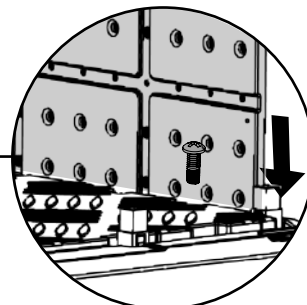
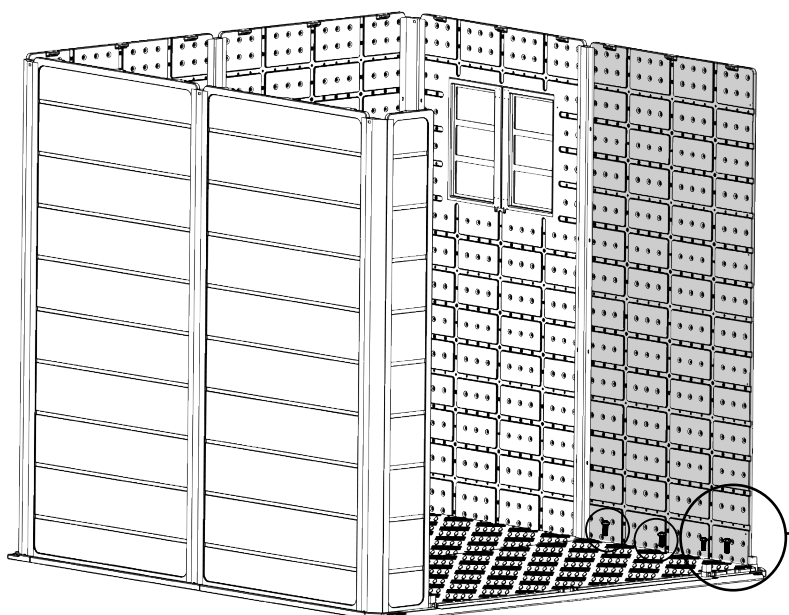
Big wall panel post to install



Big wall panel
GS0101004



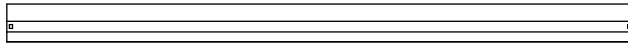
carriage bolt
Y202328
M6×20×3pcs



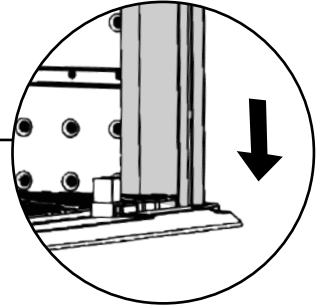
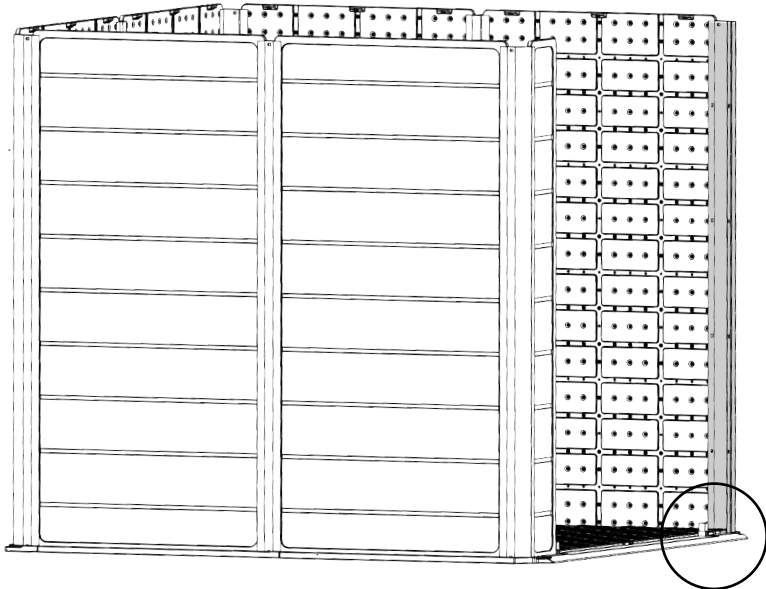
carriage bolt
Y202328
M6×20×3pcs

17

corner upright post
post to install

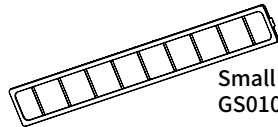


corner upright post
GS0101021



18

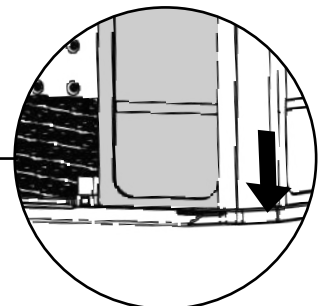
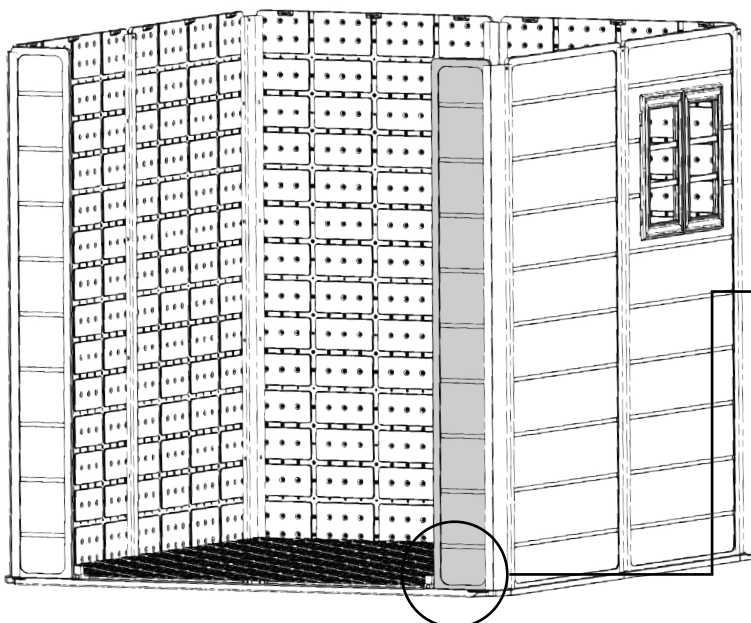
Small wall panel
to install



Small wall panel
GS0101005

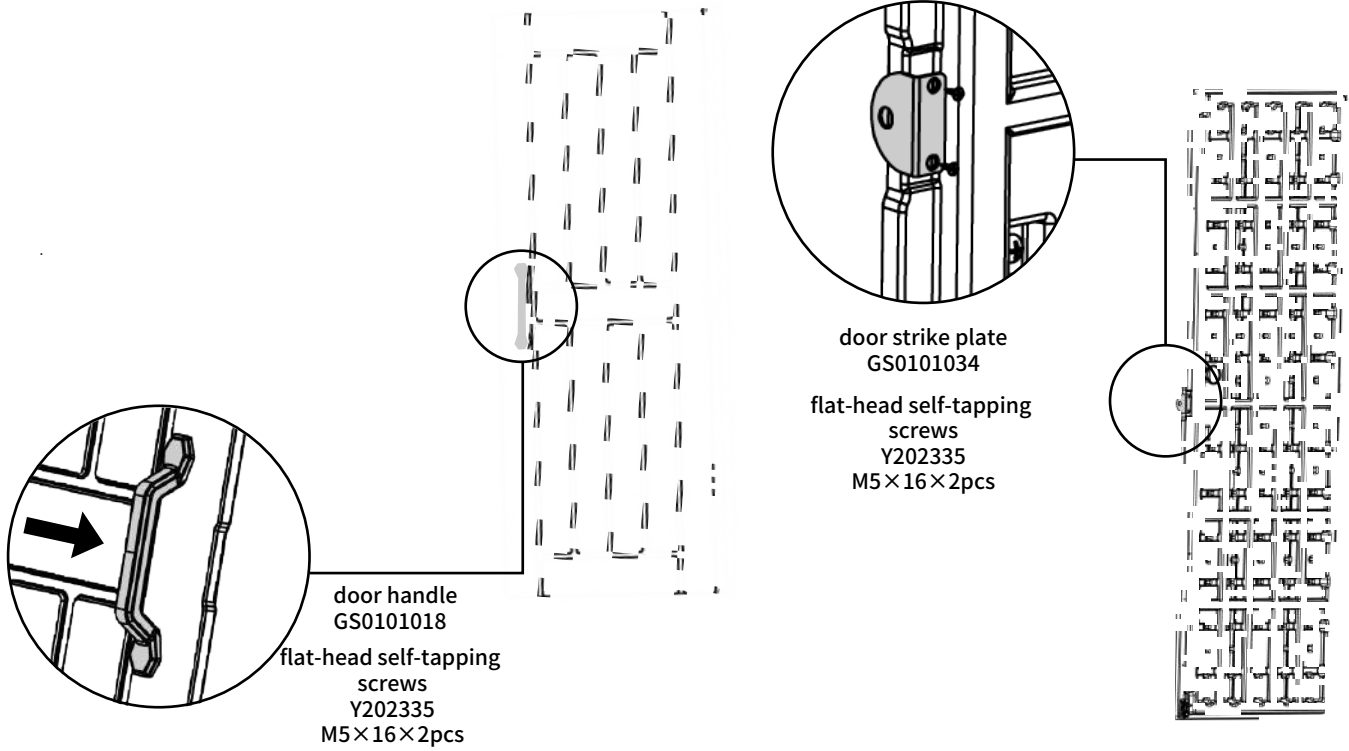
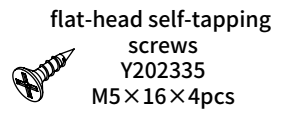
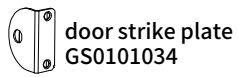


carriage bolt
Y202328
M6×20×1pcs

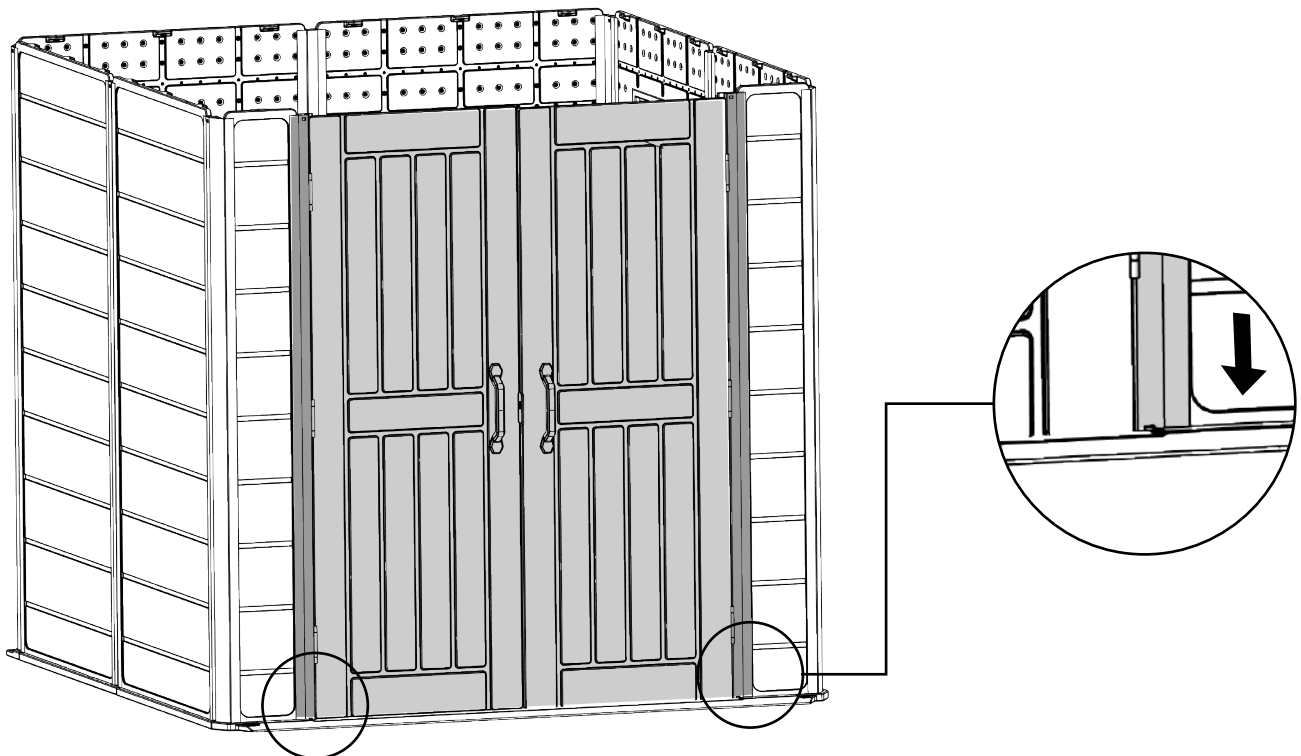


carriage bolt
Y202328
M6×20×1pcs

19 door to install



20 door to install

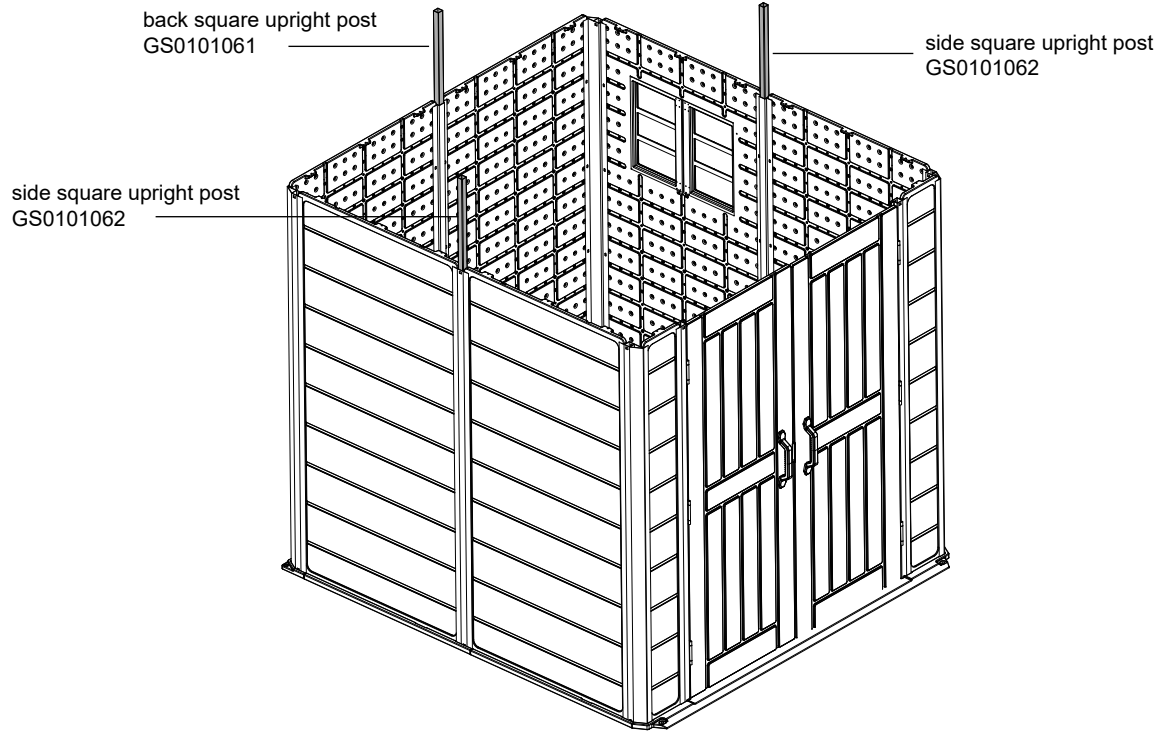


21

square upright post
to install

back square upright post
GS0101061
(30x30x1903)x1pcs

side square upright post
GS0101062
(30x30x1893)x2pcs

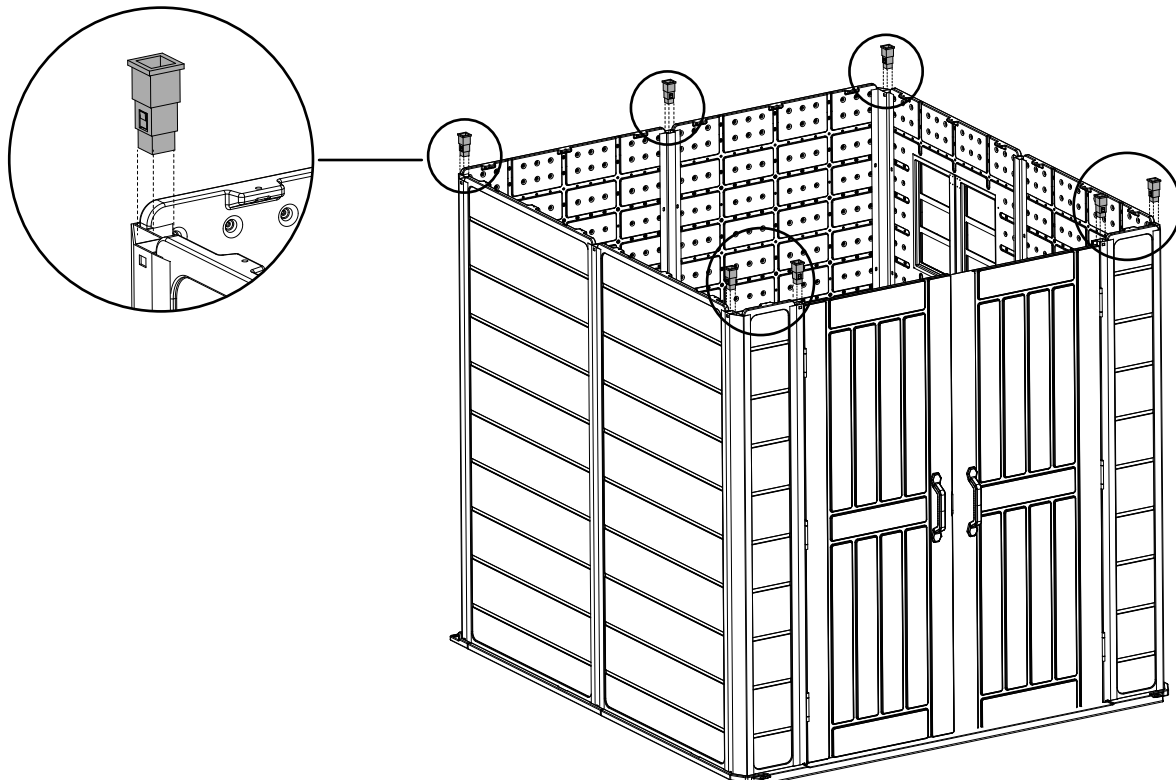


22

door frame fastener
to install



door frame fastener
(GS0101013)x7pcs

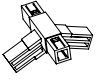


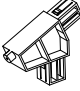
23

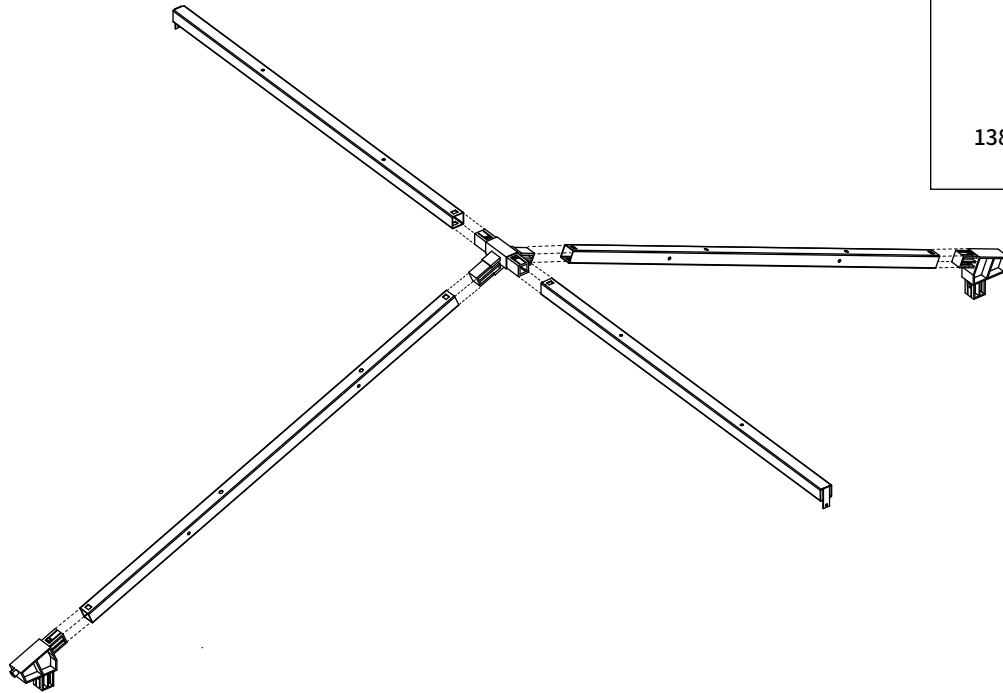
Primary structural member to install

Side girder
GS0101026
1002*30*30 (mm) x2pcs

Transom
GS0101029
1045*30*30 (mm) x2pcs



Upper beam connector
GS0101017
152*150*70 (mm) x1pcs


Tile joint
GS0101015
138*120*39 (mm) x2pcs



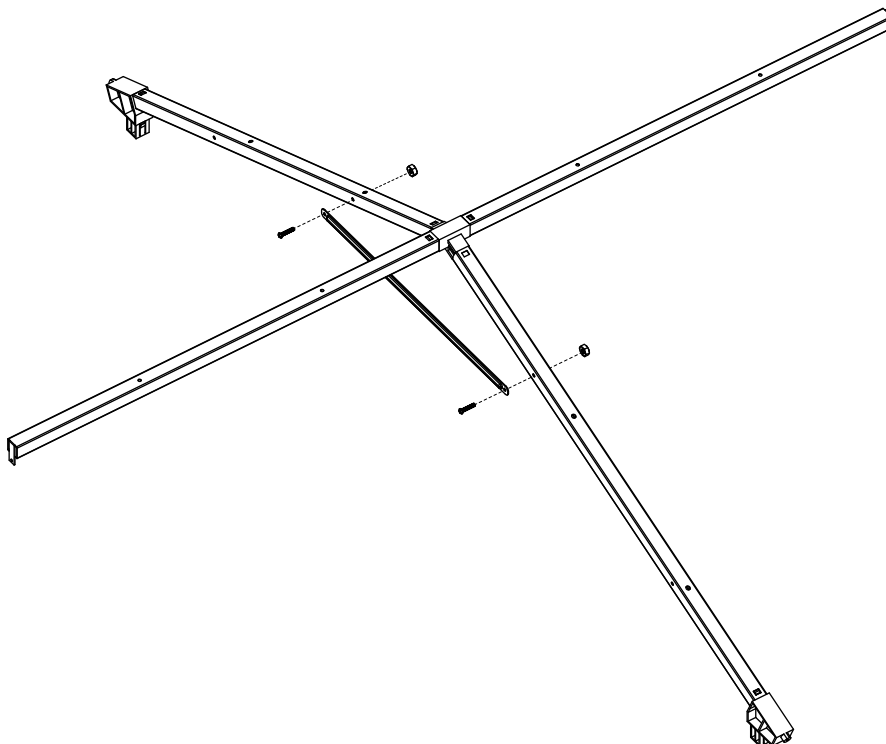
24

Primary structural member to install


roof truss brace
GS0101036
608x20x2.5

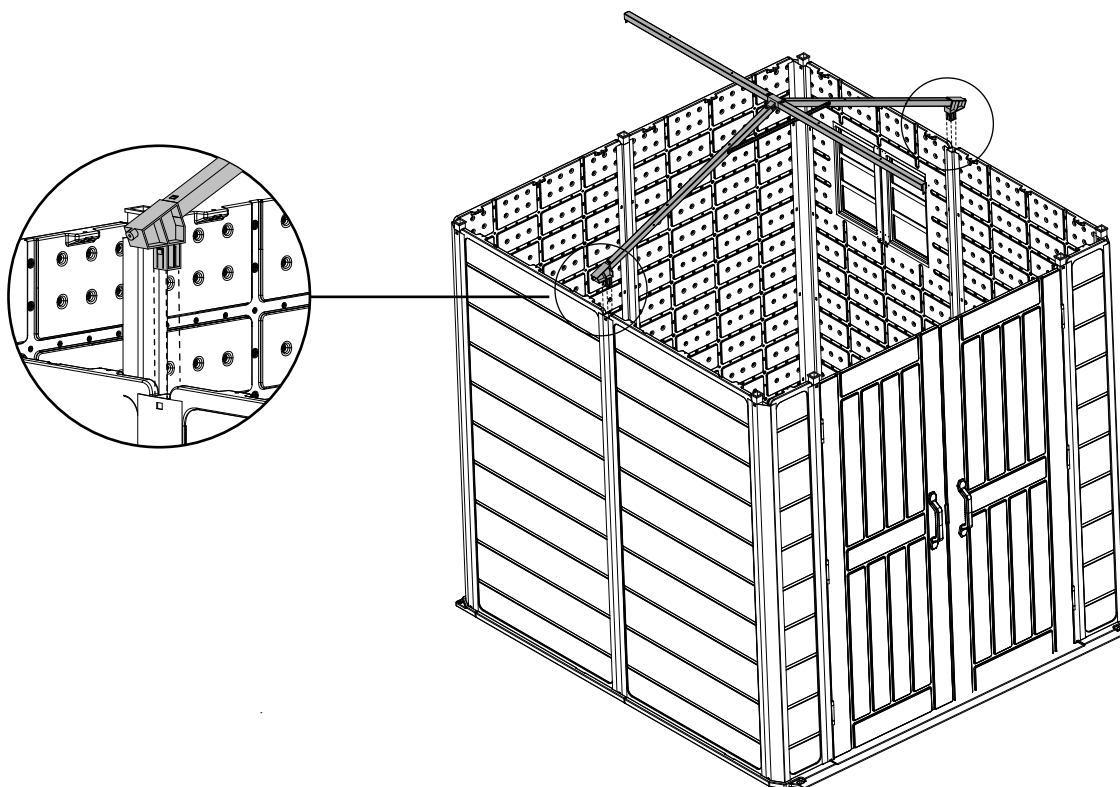

cap nut
Y202290
M6


truss-head carriage bolt
Y202468
M6x40



25

Primary structural
member to install

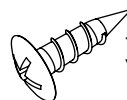


26

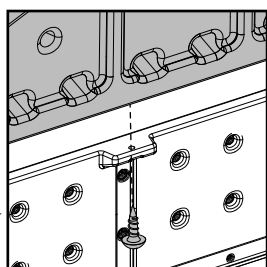
Gable to install



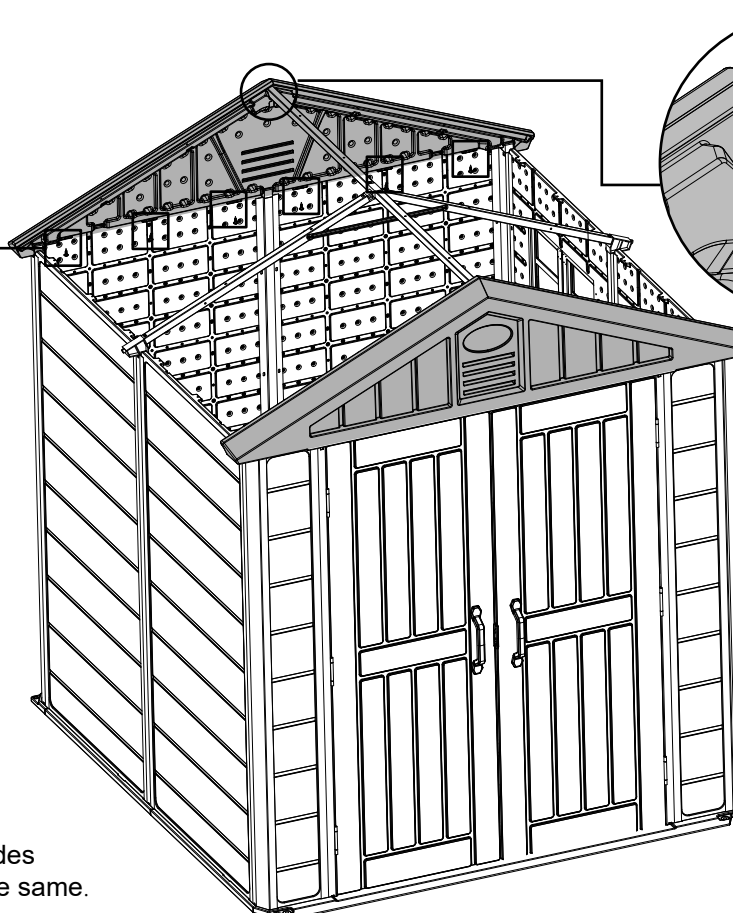
gable
GS0101010



truss-head self-tapping screws
Y202339
M5×20×14pcs



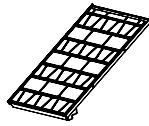
truss-head self-tapping screws
Y202339
M5×20×6pcs



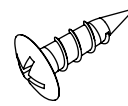
truss-head self-tapping
screws
Y202339
M5×20×1pcs

Notes: The Gable on both sides
should be installed the same.

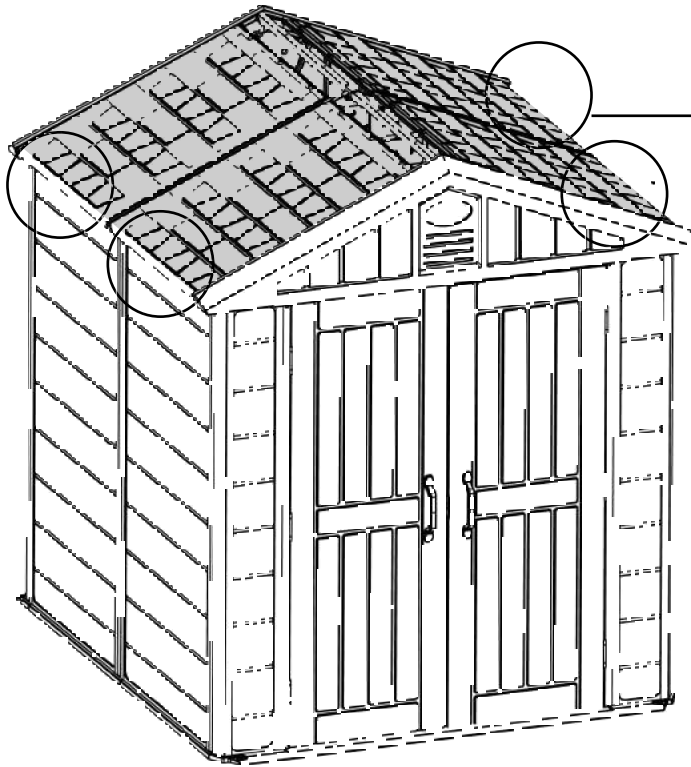
27 right window to install



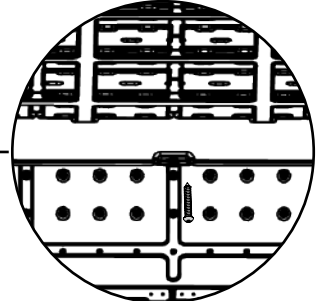
right window
GS0101009



truss-head self-tapping
screws
Y202339
M5×20×12pcs

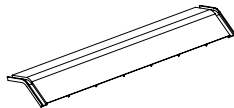


Inner upper screw

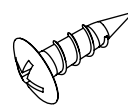


truss-head self-tapping
screws
Y202339
M5×20×12pcs

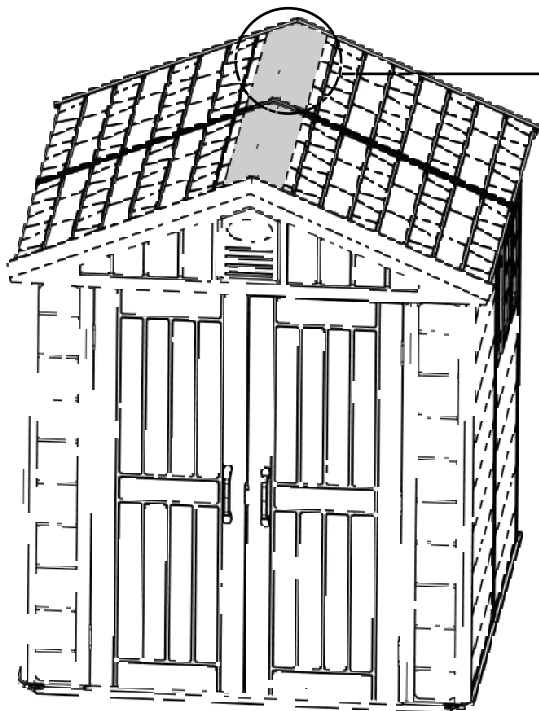
28 skylight to install



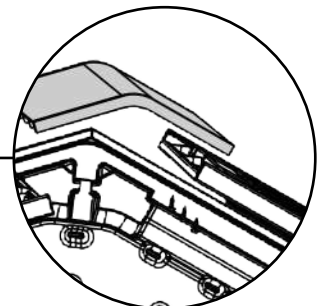
GS0101012



truss-head self-tapping
screws
Y202339
M5×20×12pcs

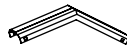


Inner upper screw

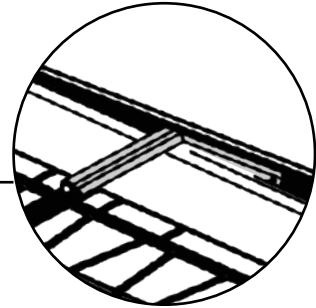


truss-head self-tapping
screws
Y202339
M5×20×12pcs

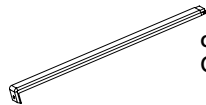
29 upper beam cap panel
to install



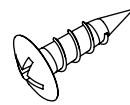
upper beam cap panel
GS0101014



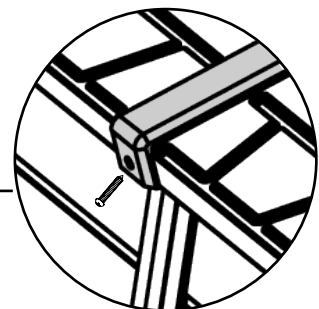
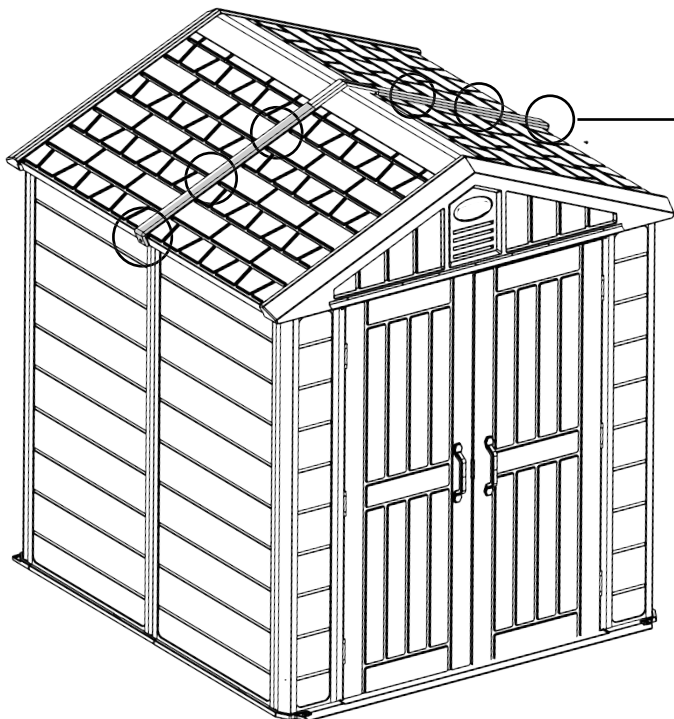
30 center roof cap
to install



center roof cap
GS0101016



truss-head self-tapping
screws
Y202339
M5×20×6pcs

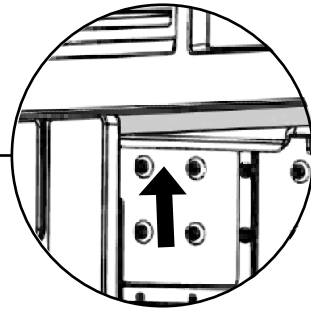
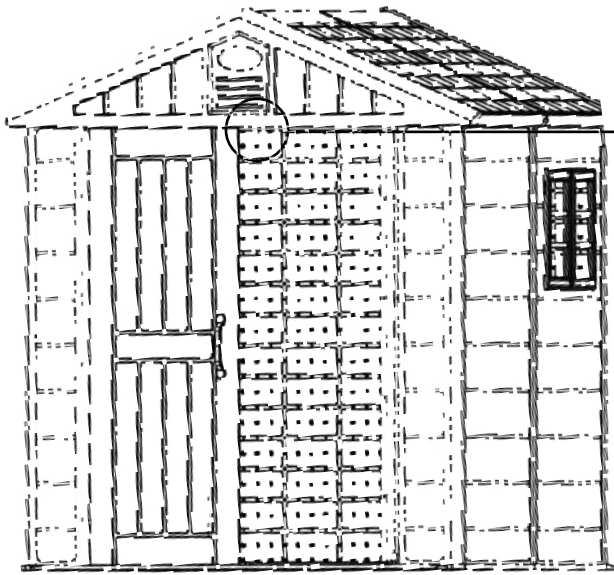


truss-head self-tapping
screws
Y202339
M5×20×6pcs

31

door stop
to install

door stop
GS0101033



Congratulations! you did it!! Awesome!!!